



Aqua-Metric Sales Company
4050 Flat Rock Drive
Riverside, CA 92505
Phone: (951) 637-1400
Fax: (951) 637-1500

Primary Contact
Bill Reyes
Territory Manager
Phone: (909) 654+2253
Email: bill.reyes@aqua-metric.com

Proposal Response Contact
Kristy Segarra
Bids and Proposals
Phone: (210) 967-6300
Email: kristy.segarra@aqua-metric.com

Request for Proposal
RFP #2526-RFP-007

Water Meters

Due: Monday, February 23, 2026 at 4:00 PM PST

City of Fullerton, CA
Attn: Jose Alfredo Gonzales
1580 W Commonwealth Avenue
Fullerton, CA 92833
Phone: (714) 738-6549

BID RESPONSE ENCLOSED
ELECTRONIC UPLOAD TO OPENGOV



February 23, 2026

Jose Alfredo Gonzales
City of Fullerton, CA
1580 W Commonwealth Avenue
Fullerton, CA 92833

RE: RFP #2526-RFP-007

To Whom It May Concern:

Thirkettle Corporation dba Aqua-Metric Sales Company is pleased to propose our commercial water meter solution to the City of Fullerton ("Fullerton") in response to their Request for Proposal, RFP #2526-RFP-007 Water Meters, due February 23, 2026 at 4:00 PM.

Aqua-Metric has specialized in the sale, installation, and support of Sensus technologies for more than thirty years. We are the exclusive Sensus distribution channel partner for three states, and our installation services group has become one of Sensus's partners throughout the nation providing turn-key AMI solutions. Our in-depth experience has led us to become closely involved with nearly 200 AMI projects, sized from 300 to over 280,000 services.

Furthermore, Aqua-Metric has had the privilege of being the City's sole-source provider of Sensus metering products for the past decade. We greatly value our partnership with the City and hope to continue our relationship of providing exemplary metering and support services.

The enclosed proposal provides Sensus's revolutionary iPERL+, OMNI+, and CordoneL water metering with Nicor technology which will seamlessly communicate with the City's current and/or future metering technology.

As you review our proposal and consider your options, we hope to further present the achievements and abilities of the proposed water meter series. We look forward to the opportunity to partner with the City and appreciate your time and thoughtful consideration.

Sincerely,

Aqua-Metric Sales Company
4050 Flat Rock Drive
Riverside, CA 92505
Phone: (951) 637-1400
Email: procurements@aqua-metric.com

Pricing Assumptions and Clarifications

Aqua-Metric would like to thank the City of Fullerton for allowing us the opportunity to present our Sensus water metering solution in response to the City's Request for Proposal. We believe our metering product exceeds the requirements outlined within the City's bid documents, but would like to offer the following clarifications, pricing assumptions, and exceptions to help better understand our proposed response.

1. Standard Terms and Conditions

Aqua-Metric's proposal has been carefully prepared using information furnished within the City's Request for Proposals. Aqua-Metric's response thereto is not intended to be construed as Aqua-Metric's acceptance or rejection of any specific terms or conditions except where expressly stated herein otherwise. If awarded, Aqua-Metric will enter into the required contract(s) with the City based on Aqua-Metric's standard agreement(s) and Terms of Sale. All contracts must be executed prior to project start. Enclosed within our response is Aqua-Metric's Terms of Sale, which will govern, unless there is an executed agreement between the parties.

In recognition of the potential for fluctuation in raw material and inflationary costs, pricing will be held firm for one year, after which pricing may be subject to adjustment(s) based upon inflation rates within the current market and potential supply chain constraints. The percentage change between the response price and the contract price shall not exceed the percentage change issued by Aqua-Metric's supplier's actual cost of increase. Prices for products or services unaffected by verifiable cost trends shall not be subject to adjustment.

If modifications in materials, labor, or processing are required to meet new regulations, the pricing submitted herein is subject to immediate change.

RETURNS: Returned product subject to a 25% restocking fee for Sensus water product(s) – must be returned within six months of shipment. Additional details and limitations apply. All non-Sensus product subject to their specific manufacturer's published return policy.

TAXES AND FEES. All prices quoted are exclusive of federal taxes, state taxes, municipal taxes, tariffs, duties, and other government-imposed fees (collectively the "Taxes and Fees") related to the procurement, installation, and delivery of materials and equipment. Taxes and Fees will be added to each applicable invoice and are the responsibility of the Customer. If Customer is exempt from sales tax, Customer is required to provide all applicable tax exemption documentation at the time of purchase. Any changes in Taxes and Fees may result in adjustments to the final invoice accordingly.

2. Deviations to Specifications

Freight Terms

Freight terms will be prepaid and added unless a purchase order is provided exceeding \$80,000 for Sensus products. Due to unknown quantities, Aqua-Metric is unable to determine freight costs at this time; and therefore, unable to provide freight pricing as a part of our response.

RFP Section 2.1.3, Terms – "In case of default, the City of Fullerton may procure its supplies from other sources and hold the original proposer or contractor liable for resulting increased costs."

Aqua-Metric understands that the City may elect to purchase supplies from other sources in circumstances of default; however, we take exception to being penalized for the difference in price from doing so.

3. Alternate Metering Product

Aqua-Metric is quoting the residential Sensus iPERL+ water meter as an alternate to the RFP's line item for "Disc Meters". This premier smart-water meter is available in both a composite and metal flow-tube option. Below is an overview of this meter for the City's review.

iPERL+ Residential Water Meter Overview

iPERL+ smart water meters offer unparalleled low-flow accuracy with high-flow durability, using innovative magnetic technology to capture previously unmeasured low flow. iPERL+ meters increase returns while maximizing operational efficiency. With no moving parts, lead-free iPERL+ meters maintain their accuracy over a 20-year lifetime.

With Advanced Metering Infrastructure (AMI) connectivity—as well as 14 condition, diagnostic, and lifetime alarms—iPERL+ meters provide a quick resolution to any issues you may experience in the field.

Features include:

- Improves operational efficiency and customer service
- Reduces non-revenue water, measuring flow rates as low as 0.05 gpm +/- 3% accuracy for 5/8-inch and 3/4-inch installations
- Configurable alarm thresholds for continuous flow, high flow, and reverse flow
- Reduces maintenance and cost
- Can be installed horizontally, vertically or diagonally
- Prevents removal and tampering attempts to obtain free water
- Detects system leaks
- Allows remote management, monitoring, and diagnosis
- Collects and logs system and customer data
- Data logging capacity for 2,800 data points (120 days of storage with 1-hour intervals)
- Time stamped log data including peak flow, volume, and internal temperature, configurable from 15-minute to 24-hour intervals
- Preserves energy and optimizes power

The iPERL+ is available in 5/8-inch, 3/4S-inch, 3/4-inch, 1-inch, and 5/8-inch x 3/4-inch sizes.



iPERL+ Water Meter – Composite

Cordonel Water Meter

“Any Flow Rate, Any Installation, One Meter” – For All Your C&I Needs

The Sensus Cordonel water meter is an innovative ultrasonic water meter for commercial and industrial (C&I) applications. It features a patented technology that measures low-to-high-volume flow with proven accuracy and the unique flow tube has three measurement channels, allowing you to measure every drop.

Applications for the Cordonel water meter include:

- Measurement for billing of potable water (1.5" - 6" and 50°C to 122F °)
- Radio equipped flow meter for walk-by/drive-by readout applications
- Metering endpoint in fixed-base, radio-based smart water networks
- Measurement of high flow rates; for example, in pumped pipes for irrigation

- Measurement of low flow; for example, in light load periods
- Leakage detection
- Flow meter for controlling industrial processes using a pulse output
- Flow meter supplying rich data for DMA analysis

Parabolic Fins: The Cordonel water meter has parabolic fins, which shape the water for optimal accuracy without sensors protruding. This mitigates issues with tight and complex installations.

Three Measurement Channels: Cordonel's three measurement channels measure 100% of the water profile.

No Measurement Apparatus Extending into Flow Tube: The Cordonel meter does not have a measurement apparatus extending into the flow tube, meaning that no mineral deposits develop. This design reduces wear, helps prevent additive buildup, and results in a longer life for the meter.



Other Features

- Broadest, most accurate range of any ultrasonic meter – best-in-class and differentiated.
- Real-world testing with elbows and valves.
- Integrated with Sensus' Pressure Profile application.
- Uses ultrasonic technology with no moving parts or obstruction to the flow.
- Maintenance-free over its operational lifetime.
- Largest measuring range: Q3/Q1 R1000.
- Static construction with no moving parts ensures constant accuracy over lifetime; no degradation as components age.
- Unrestricted straight pipe upstream and downstream 0 x DN UOD0 acc. to OIML R49-1:2013.
- LCD for consumption, flow, temperature, pressure (optional) and status information.
- Integrated radio communication and data logger.
- Secure encrypted data transmission.
- Meter can be submerged; meets protection class IP68 acc. to 60529:2014.
- NFC wireless interface for readout of the last volume reading.
- 20-year average meter lifetime, including battery, under standard usage conditions.
- Optional pulse output with programmable values and lengths.
- Meter with MID pattern approval according to annex MI001.
- Meter conforms to OIML: R49-2013 and ISO 4064:2017.

Available Options

- Integrated pressure sensor.
- Radio communication on alternative frequencies.
- Pulse output with different pulse modes.

Environmental Conditions

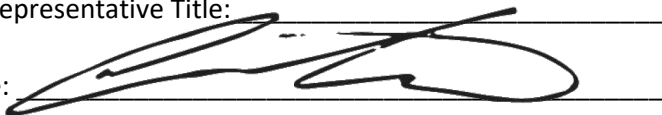
- According to ISO 4064-1:2017
- Environmental Class O acc. to OIML R49-1:2013
- Environmental temperature: 14oF to 44oF (-10oC to 7oC)
- Mechanical environmental conditions: Class M2
- Electromagnetic environmental conditions: Class E2

WATER METERS					RFP ID: #2526-RFP		
Proposal Pricing					Vendor Name: _____		
Item	Qty	Unit	Description	Unit Cost Direct Read	Unit Cost Encoded Register W/Nicor	Lead Time (days)	
1	0 - 1,500	EA	5/8" X 3/4" Disc				
2	0 - 1,500	EA	1" Disc				
3	0 - 150	EA	1-1/2" Disc				
4	0 - 150	EA	2" Disc				
5	0 - 50	EA	1-1/2" Compound Meters				
6	0 - 50	EA	2" Compound Meters				
7	0 - 25	EA	3" Compound Meters				
8	0 - 25	EA	4" Compound Meters				
9	0 - 3	EA	6" Compound Meters				
10	0 - 50	EA	2" Turbine Meters				
11	0 - 10	EA	3" Turbine Meters				
12	0 - 10	EA	4" Turbine Meters				
13	0 - 2	EA	6" Turbine Meters				
14	0 - 2	EA	8" Turbine Meters				
15	0 - 2	EA	10" Turbine Meters				
16	0-200	EA	5/8" X 3/4" Ultrasonic				
17	0-200	EA	1" Ultrasonic				
16	0 - 50	EA	1-1/2" Ultrasonic Meters				
17	0 - 50	EA	2" Ultrasonic Meters				
18	0 - 25	EA	3" Ultrasonic Meters				

Item	Qty	Unit	Description	Unit Cost Direct Read	Unit Cost Encoded Register W/Nicor	Lead Time (days)
19	0 - 10	EA	4" Ultrasonic Meters			
20	0 - 2	EA	6" Ultrasonic Meters			
21	0 - 2	EA	8" Ultrasonic Meters			
22	0 - 2	EA	10" Ultrasonic Meters			
23	0 - 250	EA	1" Domestic Fire Meters			
24	0 - 25	EA	2" Domestic Fire Meters			
25	0 - 25	EA	3" Fire Hydrant Meter W/Backflow			
26	0 - 25	EA	2" Strainers			
27	0 - 5	EA	4" Strainers			

Vendor Representative Name: _____

Vendor Representative Title: _____

Signature:  _____

Date: _____



Aqua-Metric Sales Company

16914 Alamo Parkway, Bldg. 2 | Selma, TX 78154

Phone: (210) 967-6300 | Facsimile: (210) 967-6305

February 19, 2026

Client: City of Fullerton, CA

Attention: Jose Alfredo Gonzalez, Purchasing Supervisor

Address: 1580 W Commonwealth Avenue

City, State, Zip: Fullerton, CA 92833

Project: RFP #2526-RFP-007, Water Meters

Due Date: February 23, 2026 at 4:00 PM

Line No.	Item	Quantity	Tariff Total	Unit	Extended
RFP #2526-RFP-007, Water Meters					
3	Alternate: 1 1/2" OMNI R2 Meter w/ 5' Nicor ILC	1	\$15.20	\$552.74	\$552.74
4	Alternate: 2" OMNI R2 Meter w/ 5' Nicor ILC	1	\$19.84	\$721.52	\$721.52
5	1 1/2" OMNI C2 Compound Meter w/ 20' Nicor ILC	1	\$36.00	\$1,309.10	\$1,309.10
6	2" OMNI C2 Compound Meter w/ 20' Nicor ILC	1	\$41.40	\$1,505.48	\$1,505.48
7	3" OMNI C2 Compound Meter w/ 20' Nicor ILC	1	\$52.20	\$1,898.24	\$1,898.24
8	4" OMNI C2 Compound Meter w/ 20' Nicor ILC	1	\$90.01	\$3,272.95	\$3,272.95
9	6" OMNI C2 Compound Meter w/ 20' Nicor ILC	1	\$154.81	\$5,629.57	\$5,629.57
10	2" OMNI T2 Turbo Meter w/ 20' Nicor ILC	1	\$29.39	\$1,068.78	\$1,068.78
11	3" OMNI T2 Turbo Meter w/ 20' Nicor ILC	1	\$36.41	\$1,323.84	\$1,323.84
12	4" OMNI T2 Turbo Meter w/ 20' Nicor ILC	1	\$70.03	\$2,546.40	\$2,546.40
13	6" OMNI T2 Turbo Meter w/ 20' Nicor ILC	1	\$125.35	\$4,558.29	\$4,558.29
14	8" OMNI T2 Turbo Meter w/ 20' Nicor ILC	1	\$233.23	\$8,481.05	\$8,481.05
15	10" OMNI T2 Turbo Meter w/ 20' Nicor ILC	1	\$303.81	\$11,047.67	\$11,047.67
16	Alternate: 5/8" x 3/4" Sensus iPERL Meter w/ 5' Nicor ILC, Composite Body	1	\$4.27	\$155.44	\$155.44
17	Alternate: 1" Sensus iPERL Meter w/ 5' Nicor ILC, Composite Body	1	\$6.73	\$244.77	\$244.77
16	1 1/2" Cordonel Meter w/ 20' Nicor ILC	1	\$41.22	\$1,498.79	\$1,498.79
17	2" Cordonel Meter w/ 20' Nicor ILC	1	\$43.75	\$1,590.87	\$1,590.87
18	3" Cordonel Meter w/ 20' Nicor ILC	1	\$60.42	\$2,197.25	\$2,197.25
19	4" Cordonel Meter w/ 20' Nicor ILC	1	\$95.07	\$3,457.07	\$3,457.07
20	6" Cordonel Meter w/ 20' Nicor ILC	1	\$143.06	\$5,202.06	\$5,202.06
20	8" Cordonel Meter w/ 20' Nicor ILC	1	\$246.87	\$8,977.00	\$8,977.00
23	1" iPERL Fire Service Meter w/ 5' Nicor ILC, Composite Body	1	\$7.63	\$277.29	\$277.29

This quote for the product and services named above is subject to the following terms:

1. All quotes are subject to the Aqua-Metric Terms of Sale unless there is an executed agreement between the parties.

Terms of Sale can be found online at www.aqua-metric.com

2. Quote is valid for thirty days.

3. If modifications in materials, labor, or processing are required to meet new regulations, the pricing submitted herein is subject to immediate change.

4. Freight allowed on single Sensus Product orders exceeding \$80,000.00.

5. Net Thirty Days to Pay

6. Returned product may be subject to a 25% restocking fee. Additional details apply.

7. Sales Tax and/or Freight charges are not included.

8. TAXES AND FEES. All prices quoted are exclusive of federal taxes, state taxes, municipal taxes, tariffs, duties, and other government-imposed fees (collectively the "Taxes and Fees") related to the procurement, installation, and delivery of materials and equipment. Customer shall be liable for all applicable Taxes and Fees imposed upon the Goods purchased. Taxes and Fees will be added to each applicable invoice and are the responsibility of the Customer. If Customer is exempt from sales tax, Customer is required to provide all applicable tax exemption documentation at the time of purchase. Any changes in Taxes and Fees may result in adjustments to the final invoice accordingly.

Subtotal: \$67,516.17

Estimated Tariffs: \$1,856.70

Estimated Tax: \$5,232.51

Total: \$74,605.38



iPERL Smart Water Meter

Electromagnetic Flow Measurement System

Sensus iPERL® smart water meters are designed to capture both lost water and lost revenue. The innovative magnetic technology delivers unmatched low flow registration and minimal pressure loss. With no moving parts, iPERL maintains its accuracy over a 20 year lifetime and is equipped with smart water alarms - delivering the intelligence you need to quickly resolve issues in the field.

FEATURES

- 5/8", 5/8" x 3/4", 3/4" and 1" sizes available in potable and reclaim versions
- 3/4" and 1" available in residential fire service (UL 327b)
- Starts registering flow as low as 0.03 gpm (0.007 m³/hr)
- Can be installed horizontally, vertically or diagonally
- Compatible with current Sensus AMI/AMR systems

BENEFITS

- Maximize investment with iPERL's electromagnetic technology, which delivers a 20-year accuracy warranty, with no required maintenance, and no loss in accuracy over 20 years
- Smart alarms detect issues such as leaks, reverse flow, empty pipe, etc.
- Improve low flow accuracy to drive additional revenue

Industry Leading Performance

The patented measurement technology of the iPERL water meter provides continuous and enhanced accuracy ranges at both low and high flows and perpetual accuracy over the life of the product. The iPERL meter has a 20-year accuracy warranty and a 20-year battery life guarantee. Over this 20-year lifespan, your iPERL will measure just as accurately as the day it was installed.

Construction

The iPERL has a flow tube that is comprised entirely of composite polymer, a thermal polymer shell, and an electronic register inside.

Electronic Register

The 9-digit hermetically-sealed electronic register with LCD display was designed to eliminate dirt, water, and moisture contamination in pit settings. The large, easy-to-read display includes AMI/AMR digits, direction of flow, units of measure, and empty pipe detection. The AMI/AMR digits and units of measure are fully programmable. The register also provides user configurable data logging.

Solid State Electromagnetic Technology

By avoiding the use of a mechanical measuring element inside the flow tube, metering performance is linear over the entire flow range - ensuring no reduction in accuracy at any flow rate over the life of the meter. The iPERL meter uses our patented remanent magnetic field technology - requiring far less energy and delivering superior accuracy.

Tamperproof

The integrated construction of the iPERL water meter prevents removal of the register to obtain free water. The magnetic tamper and low field alarms will both indicate any attempt to tamper with the magnetic field of the iPERL meter. The meter communication alarm indicates a possible cut cable.

Alarms

Quick resolution of field issues is made possible with smart water alarms including leak detection, reverse flow, empty pipe, magnetic tamper and low battery. When integrated with our FlexNet® communication network, remotely gathering and transmitting data has never been more reliable or profitable.

iPERL Smart Water Meter

Electromagnetic Flow Measurement System

Smart Alarms

iPERL meters have many configurable smart alarms designed to protect your utility's investment, enhance customer service, and monitor/optimize distribution systems. These alarms include:

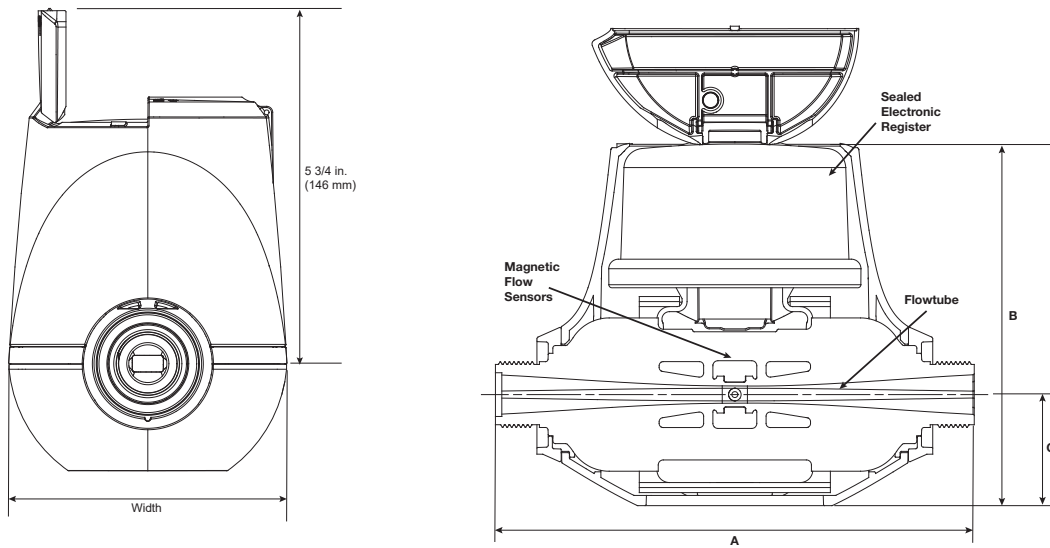
- Empty Pipe
Detects the absence of water in the flow tube and sends an alert. Allows you to identify main breaks downstream and water shortages for quicker resolution to ensure water availability. This alarm can also indicate the water meter has been removed from service, or notify you of potential tamper.
- Tampering
Detect magnetic interference to reduce apparent water losses and protect against unauthorized activities.
- Customer Leak
Detect continual consumption of water over a period of time to indicate downstream leaks. This protects your utility, infrastructure and customers through alarm notifications that can reduce water loss and leak adjustment costs.
- Low Battery
Replace your meters before they stop recording consumption through alerts indicating battery capacity to the meter or valve is running low.
- Reverse Flow
Keep untreated water from re-entering your distribution system and deter tampering attempts through an alarm triggered when reverse flow is detected at the meter.

SPECIFICATIONS

Service	Measurement of potable and reclaim water, and Residential Fire Service (UL 327b). 0-100% humidity. Fully submersible. IP68+ rated.			
Temperature Ranges	Water operating:	33 °F (0.55 °C) to 80 °F (26.7 °C)		
	Ambient air operating:	-22 °F (-30 °C) to 140 °F (60 °C)		
	Storage air:	-30 °F (-34.4 °C) to 158 °F (70 °C)		
Starting Flow	5/8" (DN 15 mm) size: 0.03 gpm (0.007 m ³ /h)	5/8" x 3/4" (DN 15x20 mm) size: 0.03 gpm (0.007 m ³ /h)	3/4" (DN 20 mm) size: 0.03 gpm (0.007 m ³ /h)	1" (DN 25 mm) size: 0.11 gpm (0.025 m ³ /h)
Low Flow Range (±3%)	5/8" (DN 15 mm) size: >0.10 gpm (0.025 m ³ /hr) to <0.18 gpm (0.041 m ³ /hr)	5/8" x 3/4" (DN 15 mm) size: >0.10 gpm (0.025 m ³ /hr) to <0.18 gpm (0.041 m ³ /hr)	3/4" (DN 20 mm) size: >0.10 gpm (0.025 m ³ /hr) to <0.18 gpm (0.041 m ³ /hr)	1" (DN 25 mm) size: >0.3 gpm (0.068 m ³ /hr) to <0.4 gpm (0.09 m ³ /hr)
Normal Water Operating Flow Range (±1.5%)	5/8" (DN 15 mm) size: 0.18 to 25 gpm (0.04 to 5.7 m ³ /hr)	5/8" x 3/4" (DN 15x20 mm) size: 0.18 to 35 gpm (0.04 to 8.0 m ³ /hr)	3/4" (DN 20 mm) size: 0.18 to 35 gpm (0.04 to 8.0 m ³ /hr)	1" (DN 25 mm) size: 0.4 to 55 gpm (0.09 to 12.5 m ³ /hr)
Normal Test Flow Limits (per UL 327b Listing, at ±1.5% accuracy)			3/4" (DN 20 mm) size: 2 to 30 gpm (0.5 to 6.8 m ³ /hr)	1" (DN 25 mm) size: 2 to 50 gpm (0.5 to 11.4 m ³ /hr)
Maximum Operating Pressure	5/8", 5/8" x 3/4", and 3/4" size: 200 psi (13.8 bar) 1" size: 175 psi (12.1 bar)			
Maximum Operating Pressure (per UL 327b Listing, at ±1.5% accuracy)	3/4" and 1" size: 175 psi (12.1 bar)			
Measurement Technology	Solid state electromagnetic flow			
Register	Hermetically sealed, 9-digit programmable electronic register			
Capacity	10,000,000 gallons, 1,000,000 cubic feet or 100,000 m ³ capacity			
Register Resolution	.01 gallons/imperial gallons, .001 cubic foot, or .0001 m ³			
Conformance to Standards	Meets the requirements of NSF 61, Annex G and NSF 372. Exceeds the most current revision of AWWA Standard C-715.			
Materials	External housing - Thermal polymer Flowtube - Composite polymer or a bronze alloy flowtube with a composite polymer internal core		Electrode - Silver/silver chloride Register cover - Hermetically sealed glass	

iPERL Smart Water Meter

Electromagnetic Flow Measurement System



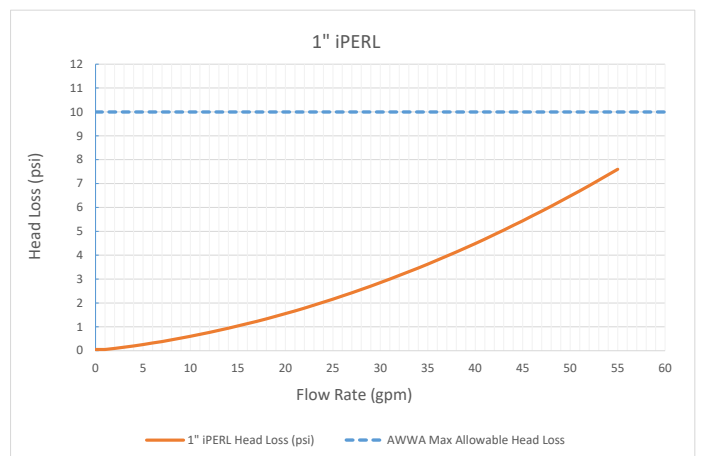
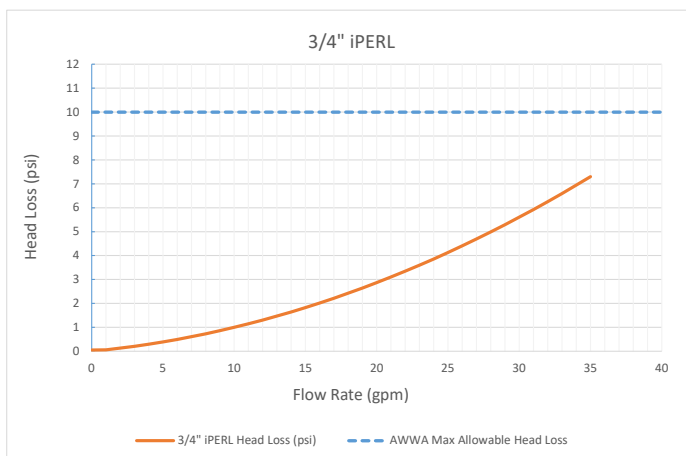
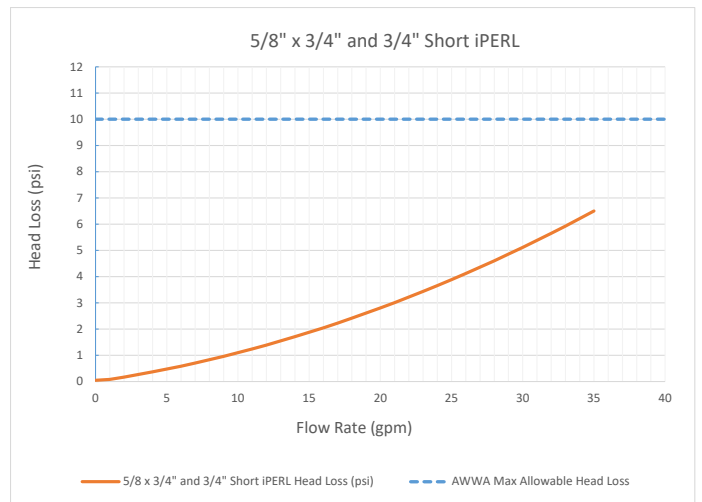
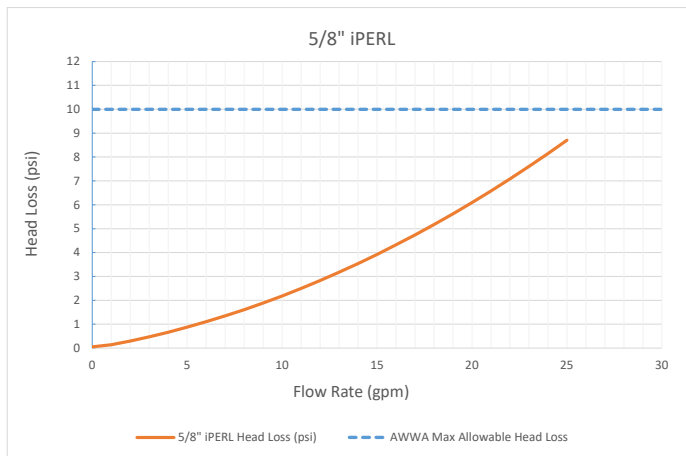
DIMENSIONS AND NET WEIGHTS

Meter Size	A	B	C	Spud Ends	NPSM Thread Size	Width	Net Weight
5/8" (DN 15 mm)	7-1/2" (190 mm)	6-1/10" (155mm)	1-3/4" (44 mm)	5/8" (15 mm)	3/4" (20 mm)	4-1/2" (114 mm)	3.1 lb. (1.4 kg)
5/8" x 3/4" (DN 15 mm x 20 mm)	7-1/2" (190 mm)	6-1/10" (155mm)	1-3/4" (44 mm)	3/4" (20 mm)	1" (25 mm)	4-1/2" (114 mm)	3.1 lb. (1.4 kg)
3/4" Short (DN 20 mm)	7-1/2" (190 mm)	6-1/10" (155 mm)	1-3/4" (44 mm)	3/4" (20 mm)	1" (25 mm)	4-1/2" (114 mm)	3.1 lb. (1.4 kg)
3/4" (DN 20 mm)	9" (229 mm)	6-1/10" (155 mm)	1-3/4" (44 mm)	3/4" (20 mm)	1" (25 mm)	4-1/2" (114 mm)	3.2 lb. (1.45 kg)
1" (DN 25 mm)	10-3/4" (273 mm)	6-1/10" (155 mm)	1-3/4" (44 mm)	1" (25 mm)	1-1/4" (32 mm)	4-1/2" (114 mm)	3.3 lb. (1.5 kg)

iPERL Smart Water Meter

Electromagnetic Flow Measurement System

Head Loss Curves



Xylem.com | Sensus.com

SENSUS | 639 Davis Drive | Morrisville, NC 27560 | 800.638.3748

©2024 Sensus. All products purchased and services performed are subject to Sensus' terms of sale, available at either sensus.com/TC or 1-800-638-3748. Sensus reserves the right to modify these terms and conditions in its own discretion without notice to the customer. The Sensus logo is a registered trademark of Sensus.

This document is for informational purposes only, and SENSUS MAKES NO EXPRESS WARRANTIES IN THIS DOCUMENT. FURTHERMORE, THERE ARE NO IMPLIED WARRANTIES, INCLUDING WITHOUT LIMITATION, WARRANTIES AS TO FITNESS FOR A PARTICULAR PURPOSE AND MERCHANTABILITY. ANY USE OF THE PRODUCTS THAT IS NOT SPECIFICALLY PERMITTED HEREIN IS PROHIBITED.

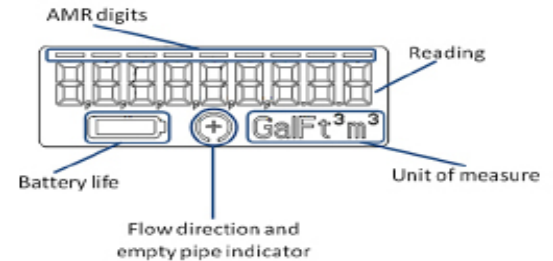
iPERL™ Water Management System Fire Service

Electromagnetic Flow Measurement System

Description

UL Listed 3/4" (DN 20mm) and 1" (DN 25mm) Sizes

With no moving parts, the Sensus iPERL water management system is based on innovative electromagnetic flow measurement technology. The iPERL system family has an operating range as low as 0.03 gpm (0.007 m³/hr) to 55 gpm (12.5 m³/hr).



Features

CONFORMANCE TO STANDARDS

The iPERL system far exceeds the most recent revision of ANSI/AWWA Standard C-700 and C-710 for accuracy and pressure loss requirements. All iPERL systems are NSF/ANSI Standard 61 Annex F and G compliant and tested to AWWA standards. The iPERL meter is UL (Underwriters Laboratories) Listed and approved for use on fire protection and domestic water applications.

PERFORMANCE

The patented measurement technology of the iPERL system allows enhanced accuracy ranges at both low and high flows and perpetual accuracy over the life of the product and can be installed horizontally, vertically or diagonally.

CONSTRUCTION

The iPERL system is an integrated unit that incorporates an electronic register and measuring device encased in an external housing. The measuring device is comprised of a composite alloy flowtube with externally-threaded spud

ends. Embedded in the flowtube are magnetic flow sensors. The all electronic, programmable register is hermetically sealed with a tempered glass cover. The iPERL system has a 20 year life cycle, along with a 20 year battery life guarantee.

ELECTRONIC REGISTER

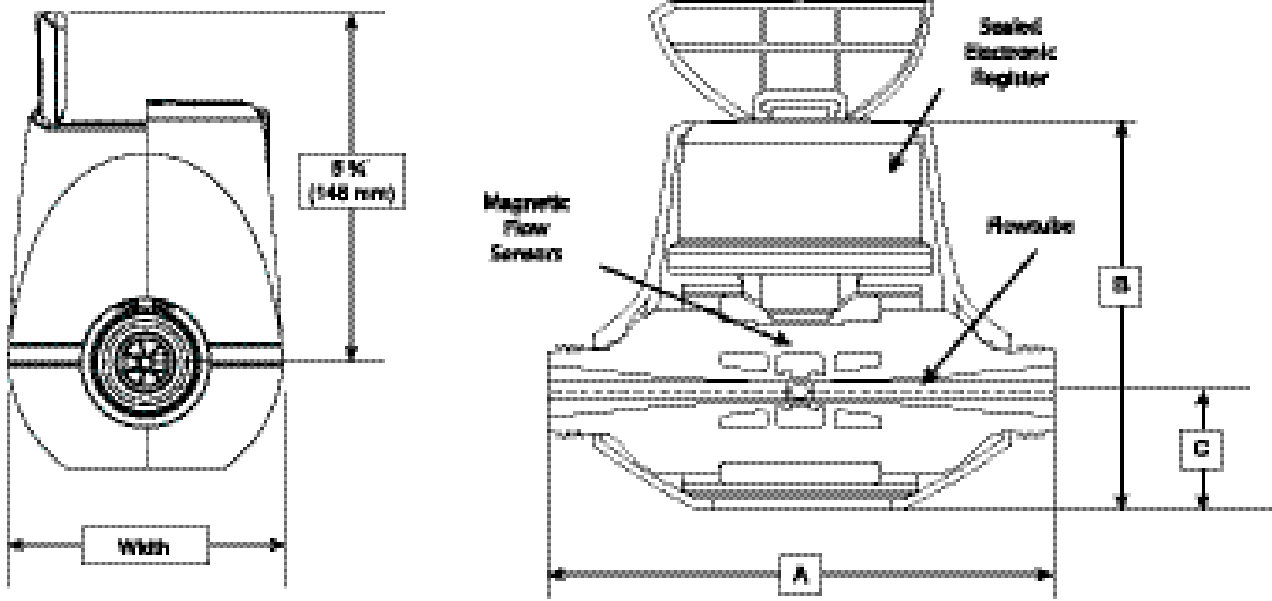
The high resolution 9-digit hermetically sealed electronic register with LCD display was designed to eliminate dirt, lens fogging issues and moisture contamination in pit settings with built in tamper protection. The tempered glass register cover displays readings with the AMR digits highlighted. Direction of flow and units of measure are also easily readable on the register display. The iPERL register features; AMR resolution and unit of measure that are fully programmable, integral customer data logging compatible with UniPro software tools. The large, easy to read display also includes battery life, empty pipe and forward/reverse flow indicators.

TAMPERPROOF FEATURES

The integrated construction of the iPERL system prevents removal of the register to obtain free water. The magnetic tamper and low field alarms will both indicate any attempt to tamper with the magnetic field of the iPERL system.

AMR / AMI SYSTEMS

The iPERL systems are compatible with current Sensus AMR/AMI systems.



DIMENSIONS AND NET WEIGHTS

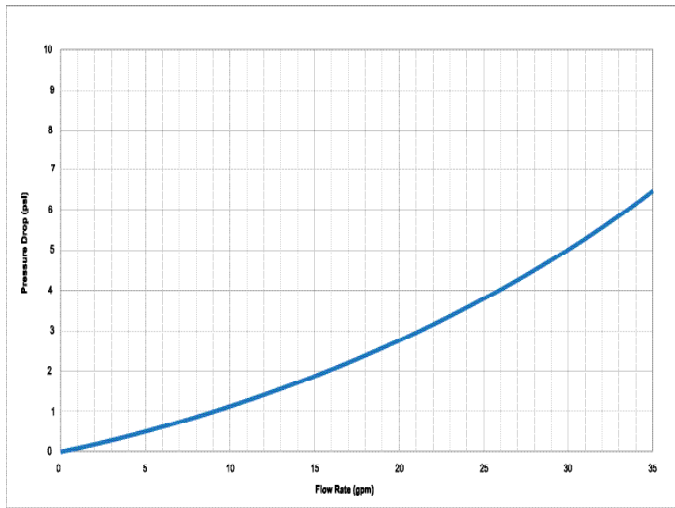
Size	A (lay length)	B	C	Spud Ends	NPSM Thread Size	Width	Net Weight
3/4" S (DN 20 mm)	7-1/2" (190 mm)	6-1/10" (155 mm)	1-3/4" (44 mm)	3/4" (20 mm)	1" (25 mm)	4-1/2" (114 mm)	3.1 lb. (1.4 kg)
3/4" (DN 20 mm)	9" (229 mm)	6-1/10" (155 mm)	1-3/4" (44 mm)	3/4" (20 mm)	1" (25 mm)	4-1/2" (114 mm)	3.2 lb. (1.5 kg)
1" (DN 25 mm)	10-3/4" (273 mm)	6-1/10" (155 mm)	1-3/4" (44 mm)	1" (25 mm)	1-1/4" (32 mm)	4-1/2" (114 mm)	3.3 lb. (1.6 kg)

SPECIFICATIONS

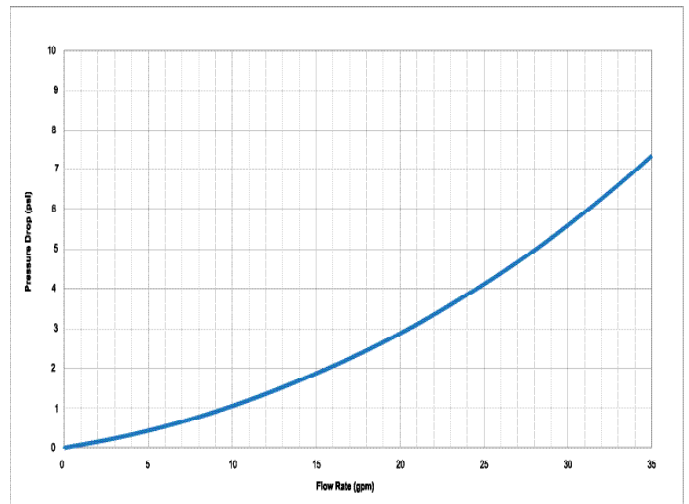
SERVICE	Measurement of potable and reclaim water. Operating temperature range of 33 °F (0.56 °C) - 150 °F (65.6 °C)	MEASUREMENT TECHNOLOGY	Solid state electromagnetic flow
NORMAL OPERATING FLOW RANGE (±1.5%)	3/4" (DN 20mm) size: 0.18 to 35 gpm (0.04 to 8.0 m³/hr) 1" (DN 25mm) size: 0.4 to 55 gpm (0.09 to 12.5 m³/hr)	REGISTER	Hermetically sealed, 9-digit programmable electronic register AMR/AMI compatible iPERL system register programmable using the UniPro programming package
LOW FLOW RANGE (±3%)	3/4" (DN 20mm) size: >0.11 gpm (0.025 m³/hr) to <0.18 gpm (0.041 m³/hr) 1" (DN 25mm) size: >0.3 gpm (0.068 m³/hr) to <0.4 gpm (0.091 m³/hr)	MATERIALS	External housing – Thermal plastic Flowtube – Polyphenylene sulfide alloy Electrode – Silver/silver chloride Register cover – Tempered glass
STARTING FLOW	3/4" (DN 20mm) size: 0.03 gpm (0.007 m³h) 1" (DN 25mm) size: 0.11 gpm (0.025 m³h)	ALARM DEFAULTS	Alarm Duration – 90 days Leak Duration – 24 hours Datalog Interval – 1 hour Alarm Mask – All alarms reported History Mask – All event types reported
MAXIMUM OPERATING PRESSURE	200 psi (13.6 bar)		



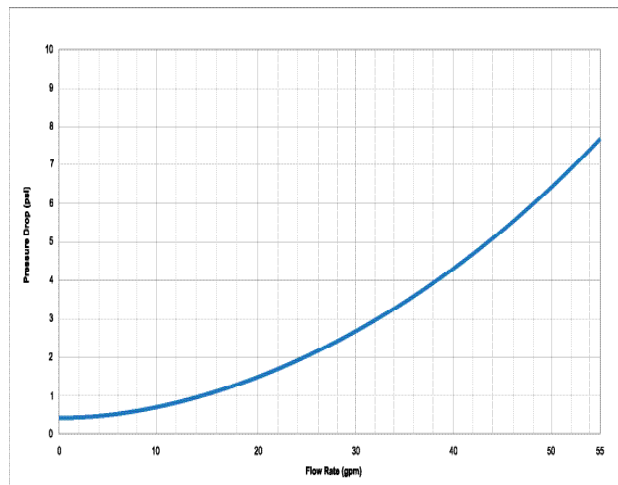
HEADLOSS CURVES



3/4" Short Headloss Curve



3/4" Headloss Curve



1" Headloss Curve

© All products purchased and services performed are subject to Sensus' terms of sale, available at either; <http://na.sensus.com/TC/TermsConditions.pdf> or 1-800-647-3748. Sensus reserves the right to modify these terms and conditions in its own discretion without notice to the customer.

This document is for informational purposes only, and SENSUS MAKES NO EXPRESS WARRANTIES IN THIS DOCUMENT. FURTHERMORE, THERE ARE NO IMPLIED WARRANTIES, INCLUDING WITHOUT LIMITATION, WARRANTIES AS TO FITNESS FOR A PARTICULAR PURPOSE AND MERCHANTABILITY. ANY USE OF THE PRODUCTS THAT IS NOT SPECIFICALLY PERMITTED HEREIN IS PROHIBITED.



OMNI+ (R²) Water Meter

1-1/2" and 2"

The OMNI™+ R² Water Meter operation is based on advanced Floating Ball Technology (FBT).

Performance

The patented measurement principles of the OMNI+ R² meter ensure greater accuracy, expanded accuracy range and longer service life than any other comparable class meter. The OMNI+ R² meter has no restrictions on sustained flow rates within its continuous range. The floating ball measurement technology allows installation in any orientation and flows up to maximum rated capacity without undue wear or accuracy degradation.

Construction

The OMNI+ R² meter consists of two basic assemblies; the maincase and the measuring chamber. The measuring chamber assembly includes the “floating ball” impeller with a coated titanium shaft, hybrid axial bearings, integral flow straightener and an all electronic programmable register with protective bonnet. The maincase is made from industry proven Ductile Iron with an approved NSF epoxy coating. Maincase features are; easily removable measuring chamber, unique chamber seal to the maincase using a high pressure o-ring, testing port and a convenient integral strainer.

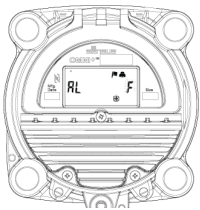
OMNI™+ REGISTER DISPLAY



Segment Test View



Totalizer View



Notification View



Flow Rate View

Conformance to Standards

The OMNI+ R² meter meets and far exceeds the most recent revision of ANSI/AWWA Standard C701 class II standards and exceeds performance criteria for ANSI/AWWA C700 Residential Standard using Sensus Turbo technology. Each meter is performance tested to ensure compliance. All OMNI meters are NSF/ANSI Standard 61, Annex F and G approved.

OMNI+ Electronic Register

The OMNI+ electronic register is hermetically sealed with an electronic pickup containing no mechanical gearing. The OMNI+ register features a programmable totalizer registration, AMI/AMR reading digits, and a resettable test totalizer. The large, easy-to-read LCD also displays both forward and reverse flow directions. The OMNI+ tamper-proof security cover can be positioned in any of 270 degrees of rotation, with indexing points at each of the 90-degree customary register viewing positions.

Magnetic Drive

Meter registration is achieved by utilizing a fully magnetic pickup system. This is accomplished by the magnetic actions of the embedded rotor magnets and the ultra sensitive register pickup probe. The only moving component in water is the “floating ball” impeller.

Measuring Element

The hydro-dynamically balanced impeller floats between the bearings. The Floating Ball Technology (FBT) allows the measuring element to operate virtually without friction or wear, thus creating the extended upper and lower flow ranges capable on only the OMNI+ R² meter.

OMNI+ (R²) Water Meter

1-1/2" and 2"

Strainer

The OMNI+ R² with the "V" shaped strainer uses a stainless steel screen along with Floating Ball Technology (FBT). This creates a design that greatly improves accuracy, even in difficult settings. A removable strainer cover permits easy access to the screen for routine maintenance.

AMR/AMI Systems

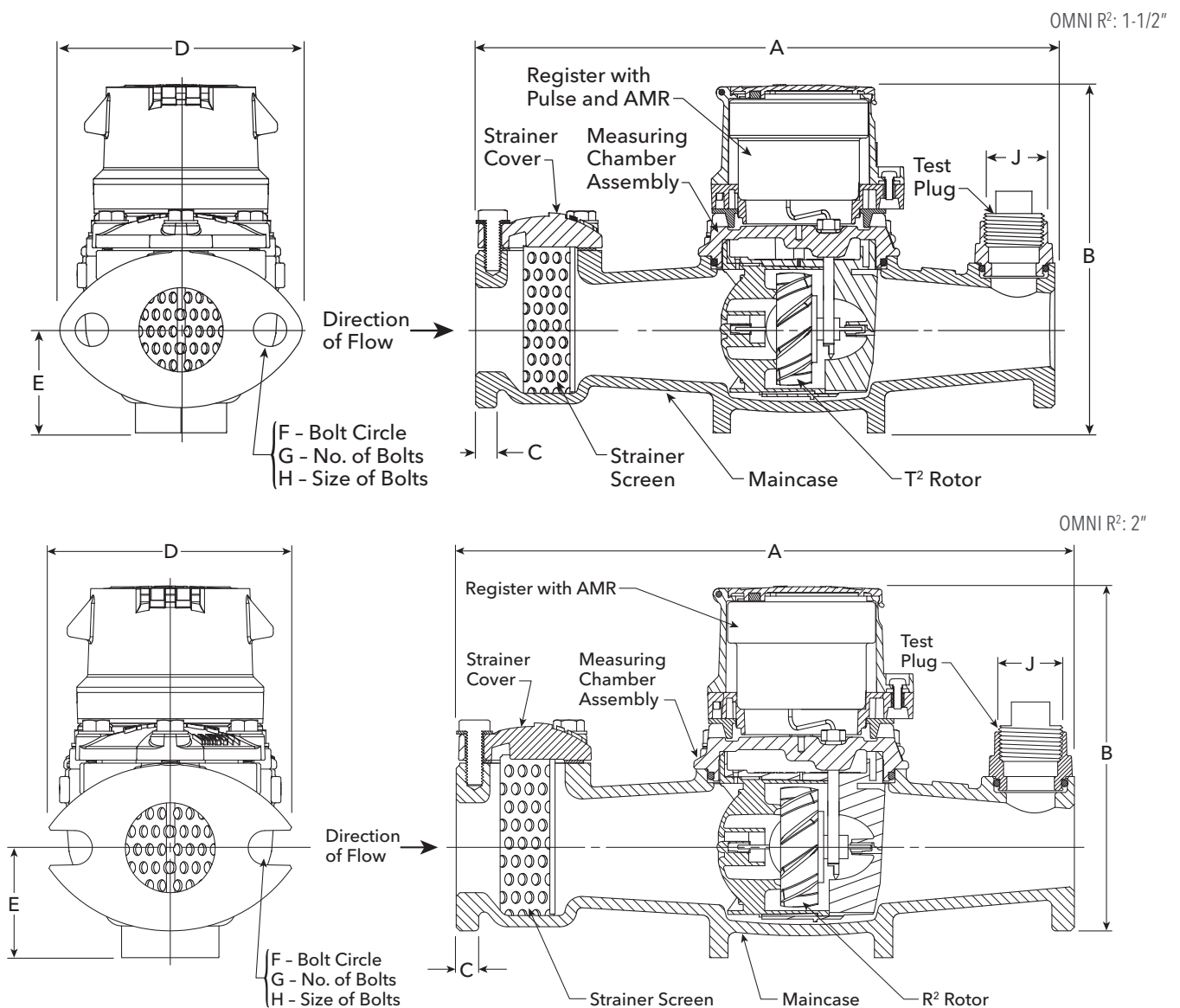
Meters and Electronic Registers are compatible with current Sensus AMR/AMI systems and other AMI communication systems that use the Sensus UI1203 protocol.

Maintenance

The OMNI+ R² meter is designed for easy maintenance. Should any maintenance be required, the measuring chamber and/or strainer cover can be removed independently. Replacement parts or complete measuring chambers are available for repairs. OMNI+ R² replacement measuring chambers may also be utilized to upgrade some third-party meters to achieve increased accuracy and extended service life.

Data Logging

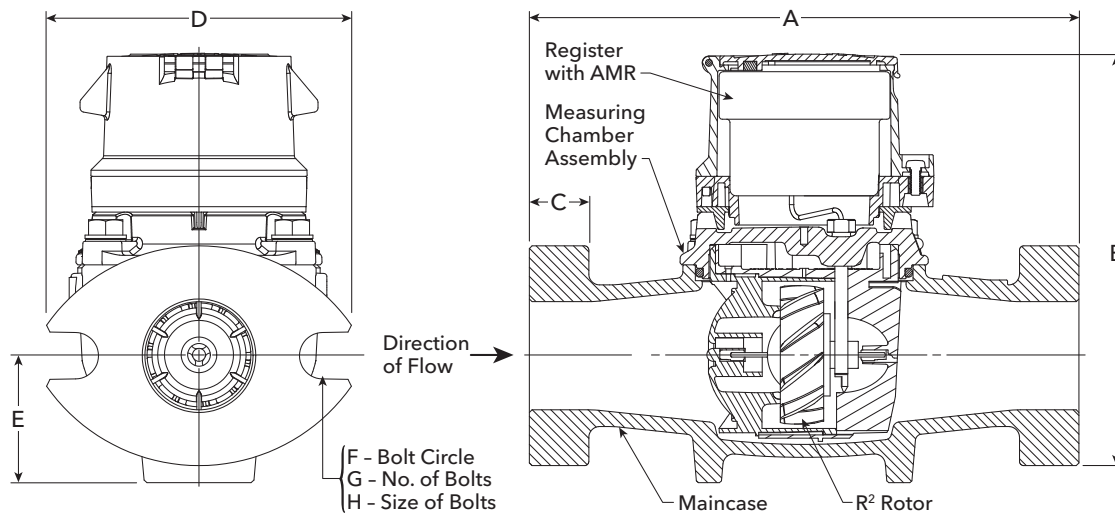
The OMNI+ R² meter logs 180 days of hourly consumption data.



OMNI+ (R²) Water Meter

1-1/2" and 2"

OMNI R²: 2" Without Strainer



DIMENSIONS AND NET WEIGHTS

Meter and Pipe Size	Normal Operating Range		Connections	A	B	C	D	E	F	G	H	J	Net Weight	Shipping Weight
1-1/2" DN 40 mm	2 gpm 0.45 m ³ /hr	150 gpm 34 m ³ /hr	Flanged	13" 330 mm	8-1/2" 216 mm	15/16" 24mm	5-7/16" 138 mm	2-5/16" 59 mm	4" 102 mm	2	5/8" 16 mm	1" 25 mm	18.8 lb 8.53 kg	22.5 lb 10.2 kg
2" DN 50 mm	2.5 gpm 0.57 m ³ /hr	200 gpm 45 m ³ /hr	Flanged	17" 432 mm	8-1/2" 216 mm	1" 25 mm	5-3/4" 146 mm	2-5/16" 59 mm	4-1/2" 114 mm	2	5/8" 16 mm	1-1/2" 38 mm	27.4 lb 12.4 kg	34.5 lb 15.6 kg
2" without Strainer DN 80 mm	2.5 gpm 0.57 m ³ /hr	250 gpm 57 m ³ /hr	Flanged	10" 254 mm	8-1/2" 216 mm	1" 25 mm	5-3/4" 146 mm	2-5/16" 59 mm	4-1/2" 114 mm	2	5/8" 16 mm	N/A	17 lb 7.9 kg	24.5 lb 11.1 kg

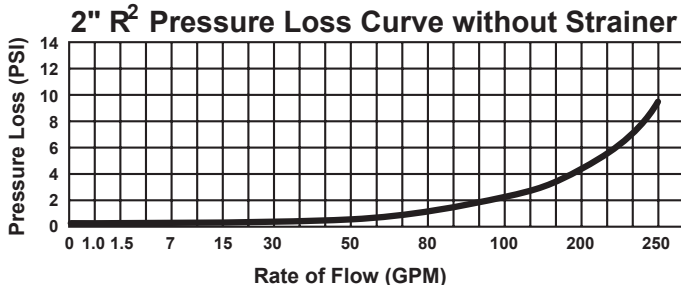
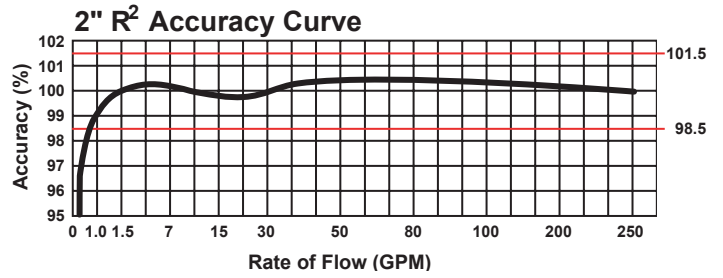
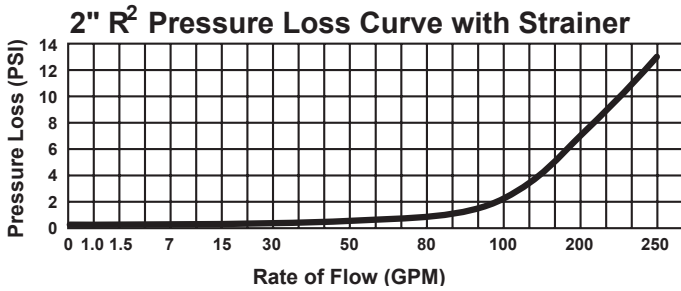
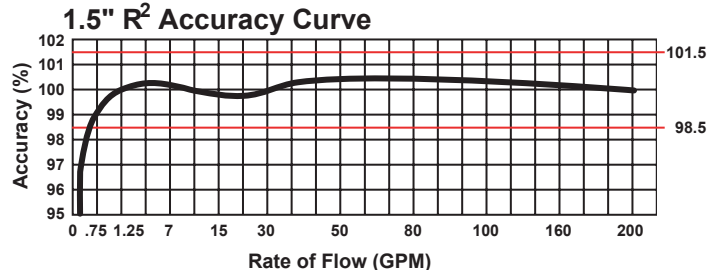
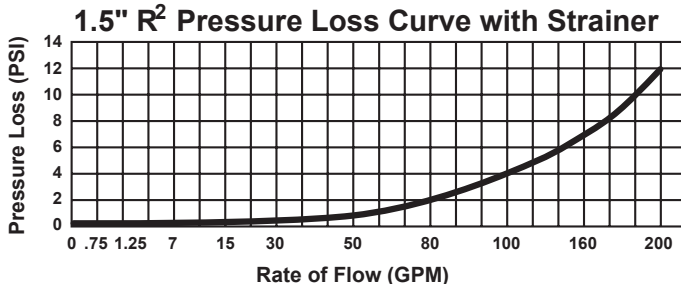
SPECIFICATIONS

Service	Measurement of potable and reclaim water. IP68 Rated. Storage temperature: -22 °F (-30 °C) to 155 °F (68.3 °C)		Operating temperatures: Air: -22 °F (-30 °C) to 150 °F (65.6 °C) Water: 33 °F (0.6 °C) to 80 °F (26.7 °C)	
Operating Range (100% ± 1.5%)	1-1/2": 2 - 150 gpm (0.45 - 34 m ³ /hr)		2": 2.5 - 200 gpm (0.56 - 45 m ³ /hr) 2" without strainer: 2.5 - 200 gpm (0.56 - 45 m ³ /hr)	
Low flow (95% - 101.5%)	1-1/2": 0.75 gpm (0.17 m ³ /hr)		2": 1.0 gpm (0.23 m ³ /hr) 2" without strainer: 1.0 gpm (0.23 m ³ /hr)	
Maximum Continuous Operation	1-1/2": 120 gpm (27 m ³ /hr)		2": 160 gpm (36 m ³ /hr) 2" without strainer: 200 gpm (45 m ³ /hr)	
Maximum Intermittent Operation	1-1/2": 200 gpm (45 m ³ /hr)		2": 250 gpm (57 m ³ /hr)	
Pressure Loss	1-1/2": 6.9 psi @ 160 gpm (0.48 bar @ 36 m ³ /hr)		2": 7.0 psi @ 200 gpm (0.48 bar @ 45 m ³ /hr)	
Maximum Operating Pressure	200 psi (13.8 bar)			
Flange Connections	U.S. ANSI B16.1 / AWWA Class 125			
Register	Fully electronic sealed register with programmable registration (Gal. / Cu. Ft. / Cu. Mtr. / Imp. Gal. / Acre Ft.)		Programmable AMR/AMI reading Guaranteed 10-year battery life	
NSF Approved Materials	Maincase: Measuring Chamber: Rotor "Floating Ball": Radial Bearings:	Coated Ductile Iron Thermoplastic Thermoplastic Hybrid Thermoplastic	Thrust Bearings: Magnets: Strainer Screen: Strainer Cover:	Sapphire/Ceramic Jewel Ceramic Stainless Steel Coated Ductile Iron

OMNI+ (R²) Water Meter

1-1/2" and 2"

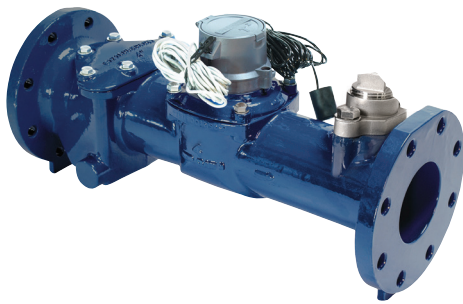
Headloss Curves



SENSUS | 637 Davis Drive | Morrisville, NC 27560 | 800.638.3748

©2023 Sensus. All products purchased and services performed are subject to Sensus' terms of sale, available at either sensus.com/TC or 1-800-638-3748. Sensus reserves the right to modify these terms and conditions in its own discretion without notice to the customer. The Sensus logo is a registered trademark of Sensus.

This document is for informational purposes only, and SENSUS MAKES NO EXPRESS WARRANTIES IN THIS DOCUMENT. FURTHERMORE, THERE ARE NO IMPLIED WARRANTIES, INCLUDING WITHOUT LIMITATION, WARRANTIES AS TO FITNESS FOR A PARTICULAR PURPOSE AND MERCHANTABILITY. ANY USE OF THE PRODUCTS THAT IS NOT SPECIFICALLY PERMITTED HEREIN IS PROHIBITED.



OMNI+ Turbo (T²) Water Meter

1-1/2", 2", 3", 4", 6", 8" and 10"

The OMNI™+ T² meter operation is based on advanced Floating Ball Technology (FBT).

Performance

The patented measurement principles of the OMNI+ T² meter ensure greater accuracy, expanded accuracy range and longer service life than any other comparable class meter. The OMNI+ T² meter has no restrictions on sustained flow rates within its continuous range. The floating ball measurement technology allows installation in any orientation and flows up to maximum rated capacity without undue wear or accuracy degradation.

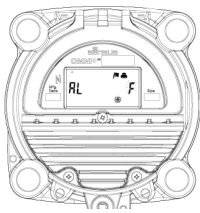
OMNI™+ REGISTER DISPLAY



Segment Test View



Totalizer View



Notification View



Flow Rate View

Construction

The OMNI+ T² meter consists of two basic assemblies; the maincase and the measuring chamber. The measuring chamber assembly includes the "floating ball" impeller with a coated titanium shaft, hybrid axial bearings, integral flow straightener and an all electronic programmable register with protective bonnet. The maincase is made from industry proven Ductile Iron with an approved NSF epoxy coating. Maincase features are; easily removable measuring chamber, unique chamber seal to the maincase using a high pressure o-ring, testing port and a convenient integral strainer.

OMNI+ Electronic Register

The OMNI+ electronic register is hermetically sealed with an electronic pickup containing no mechanical gearing. The OMNI+ register features a programmable totalizer registration, an optional digital pulse signal, AMI/ AMR reading digits, and a resettable test totalizer. The large, easy-to-read LCD also displays both forward and reverse flow directions. The OMNI+ tamper-proof security cover can be positioned in any of 270 degrees of rotation, with indexing points at each of the 90-degree customary register viewing positions.

Conformance to Standards

The OMNI+ T² meter meets and far exceeds the most recent revision of AWWA Standard C701 class II standards. Each meter is performance tested to ensure compliance. All OMNI meters are NSF/ANSI Standard 61, Annex F and G approved.

Magnetic Drive

Meter registration is achieved by utilizing a fully magnetic pickup system. This is accomplished by the magnetic actions of the embedded rotor magnets and the ultra sensitive register pickup probe. The only moving component in water is the "floating ball" impeller.

Measuring Element

The hydro-dynamically balanced impeller floats between the bearings. The Floating Ball Technology (FBT) allows the measuring element to operate virtually without friction or wear, thus creating the extended upper and lower flow ranges capable on only the OMNI+ T² meter.

OMNI+ Turbo (T²) Water Meter

1-1/2", 2", 3", 4", 6", 8" and 10"

Strainer

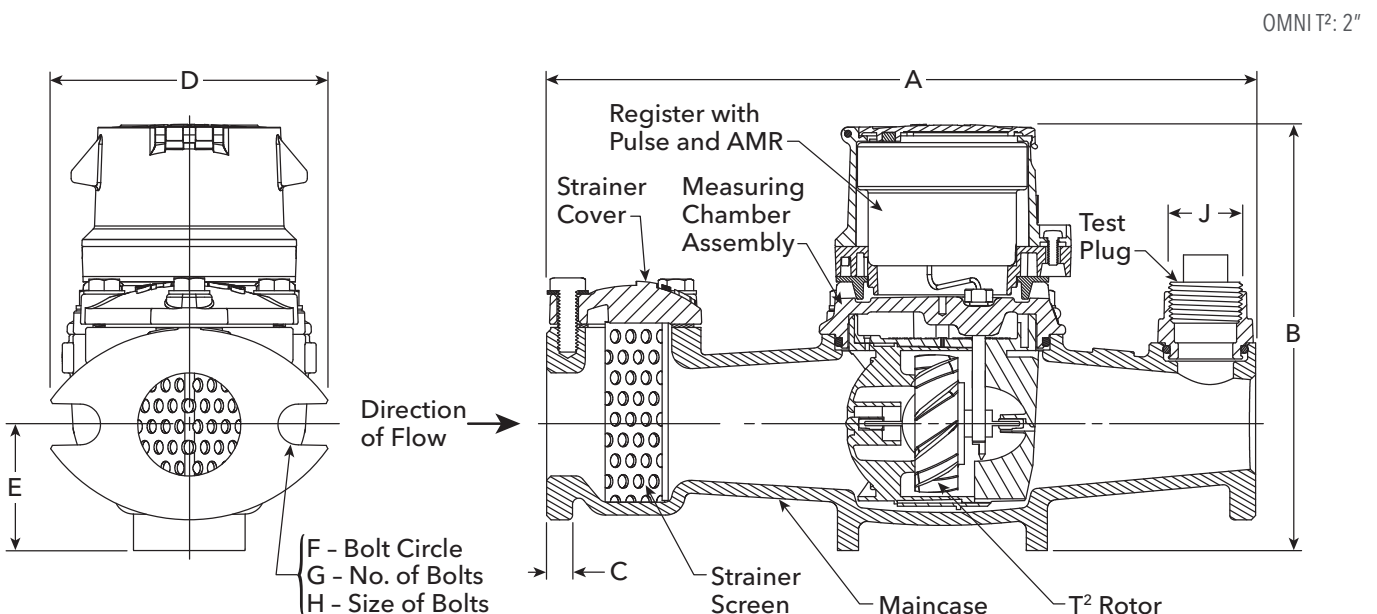
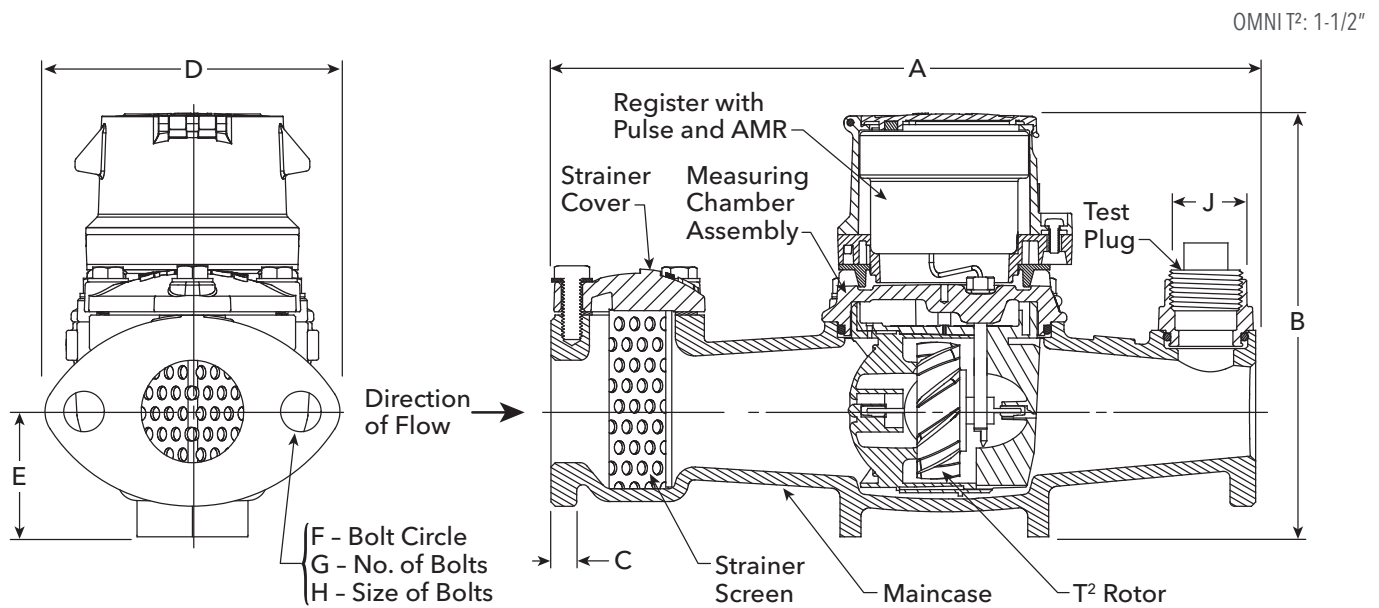
The OMNI+ T² with the AWWA compliant "V" shaped strainer uses a stainless steel screen along with Floating Ball Technology (FBT). This creates a design that greatly improves accuracy, even in difficult settings. A removable strainer cover permits easy access to the screen for routine maintenance.

AMR/AMI Systems

Meters and Electronic Registers are compatible with current Sensus AMR/AMI systems and other AMI communication systems that use the Sensus UI1203 protocol.

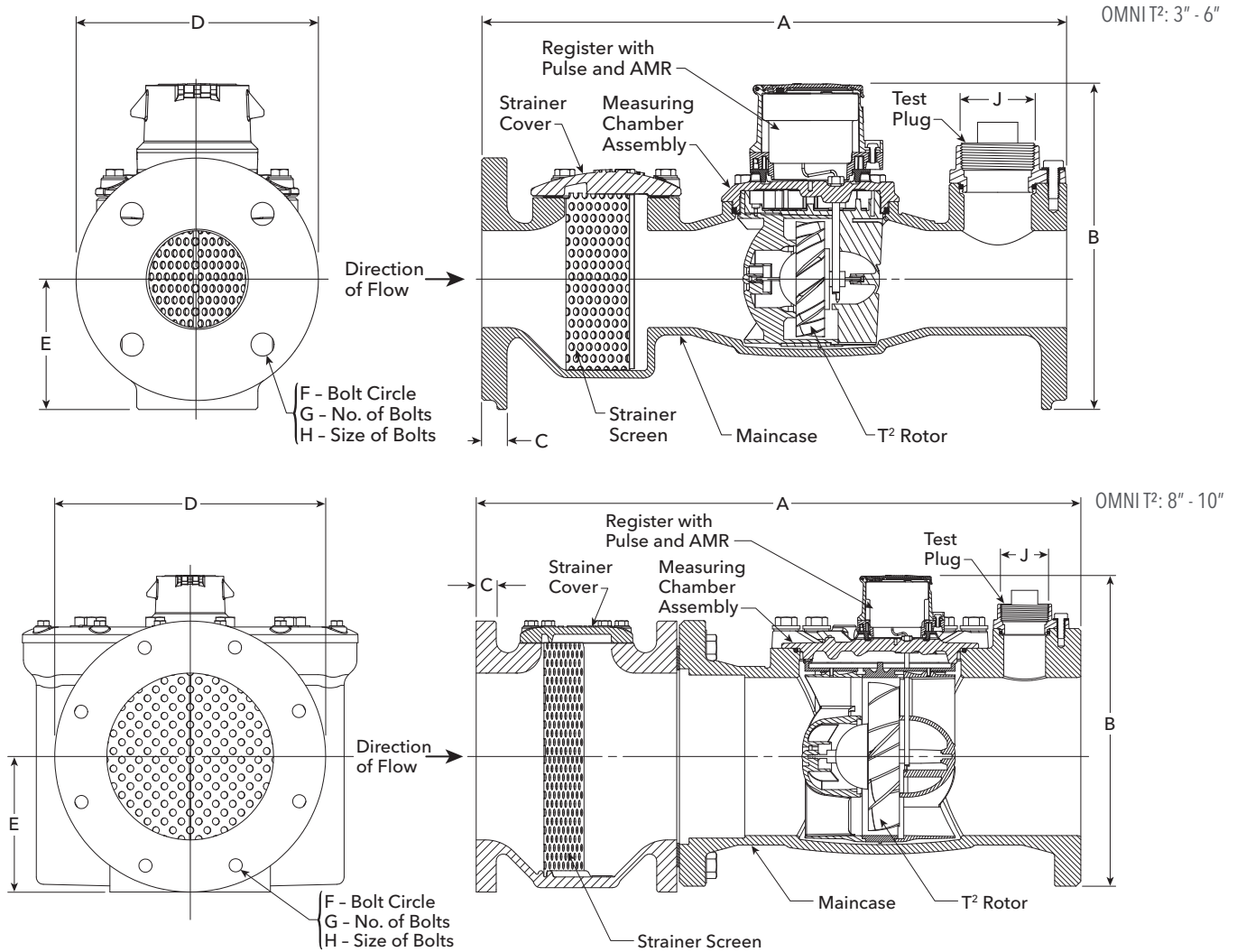
Maintenance

The OMNI+ T² meter is designed for easy maintenance. Should any maintenance be required, the measuring chamber and/or strainer cover can be removed independently. Replacement parts or complete measuring chambers are available for repairs. OMNI+ T² replacement measuring chambers may also be utilized to upgrade some third-party meters to achieve increased accuracy and extended service life.



OMNI+ Turbo (T²) Water Meter

1-1/2", 2", 3", 4", 6", 8" and 10"



DIMENSIONS AND NET WEIGHTS

Meter and Pipe Size	Normal Operating Range	Connections	A	B	C	D	E	F	G	H	J	Net Weight	Shipping Weight
1-1/2" DN 40mm	1.25 gpm 200 gpm .28 m ³ /hr 45 m ³ /hr	Flanged	13" 330mm	7-7/8" 200mm	15/16" 24mm	5-7/16" 138mm	2-5/16" 59mm	4" 102mm	2	5/8" 16mm	1" 25mm	18.8 lbs. 8.53 kg.	22.5 lbs. 10.2 kg.
2" DN 50mm	1.5 gpm 250 gpm .34 m ³ /hr 57 m ³ /hr	Flanged	17" 432mm	7-7/8" 200mm	1" 25mm	5-3/4" 146mm	2-5/16" 59mm	4-1/2" 114mm	2	3/4" 19mm	1-1/2" 38mm	27.4 lbs. 12.4 kg.	34.5 lbs. 15.6 kg.
2" w/o Strainer DN 50mm	1.5 gpm 250 gpm .34 m ³ /hr 57 m ³ /hr	Flanged	10" 254mm	7-7/8" 200mm	1" 25mm	5-3/4" 146mm	2-5/16" 59mm	4-1/2" 114mm	2	3/4" 19mm	N/A	17.4 lbs. 7.9 kg.	24.5 lbs. 11.1 kg.
3" DN 80mm	2.5 gpm 650 gpm .57 m ³ /hr 148 m ³ /hr	Flanged	19" 483mm	8-3/4" 225mm	3/4" 19mm	7-7/8" 200mm	4-1/8" 105mm	6" 153mm	4	5/8" 16mm	2" 51mm	48.5 lbs. 22.0 kg.	57.4 lbs. 26.0 kg.
4" DN 100mm	3.0 gpm 1250 gpm .68 m ³ /hr 284 m ³ /hr	Flanged	23" 584mm	11-3/16" 284mm	15/16" 24mm	9-1/8" 232mm	4-3/4" 121mm	7-1/2" 191mm	8	5/8" 16mm	2" 51mm	67.9 lbs. 30.8 kg.	75.8 lbs. 34.4 kg.
6" DN 150mm	4 gpm 2500 gpm .91 m ³ /hr 568 m ³ /hr	Flanged	27" 686mm	13-1/4" 337mm	15/16" 24mm	11" 279mm	5-3/4" 146mm	9-1/2" 241mm	8	3/4" 19mm	2" 51mm	140 lbs. 63.5 kg.	165 lbs. 74.8 kg.
8" DN 200mm	5 gpm 3500 gpm 1.1 m ³ /hr 795 m ³ /hr	Flanged	30-1/8" 765mm	15" 381mm	11/16" 17mm	13-1/2" 343mm	6-3/4" 171mm	11-3/4" 298mm	8	3/4" 19mm	2" 51mm	471 lbs. 214 kg.	521 lbs. 236 kg.
10" DN 250mm	6 gpm 5500 gpm 1.4 m ³ /hr 1249 m ³ /hr	Flanged	41-1/8" 1045mm	19" 483mm	11/16" 17mm	16" 406mm	8-1/2" 216mm	14-1/4" 362mm	12	7/8" 22mm	2" 51mm	685 lbs. 311 kg.	745 lbs. 338 kg.

OMNI+ Turbo (T²) Water Meter

1-1/2", 2", 3", 4", 6", 8" and 10"

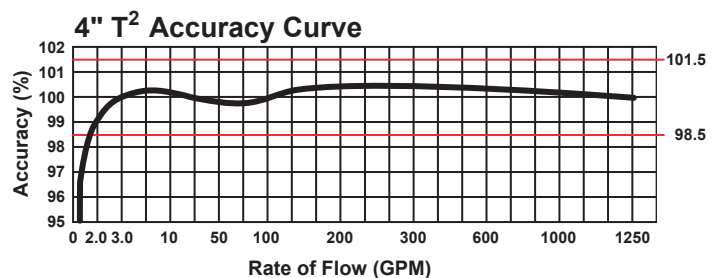
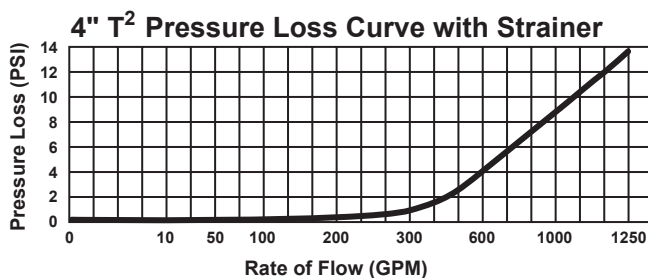
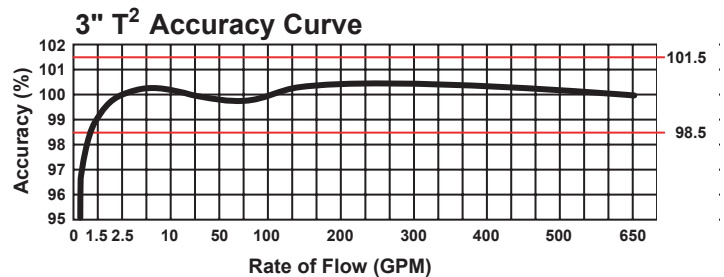
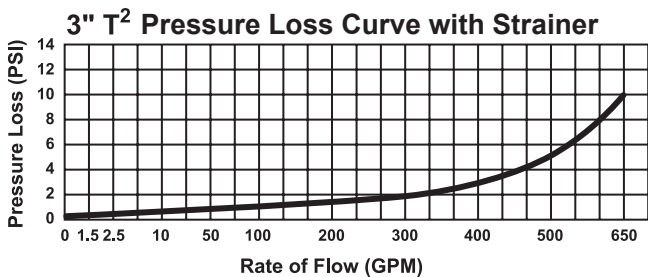
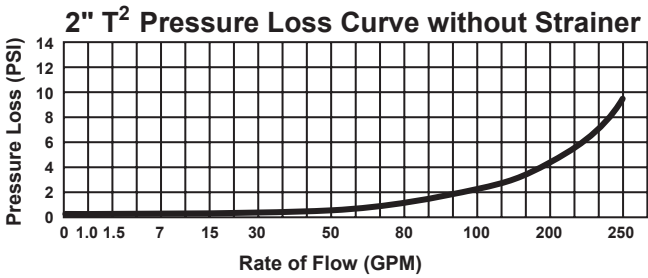
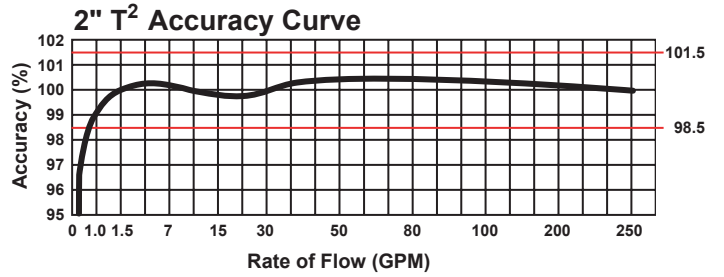
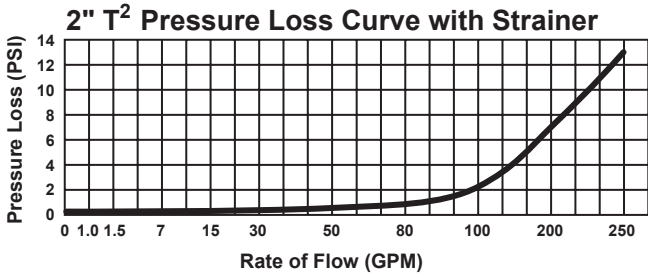
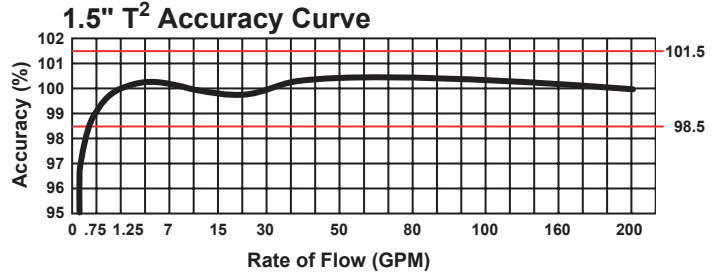
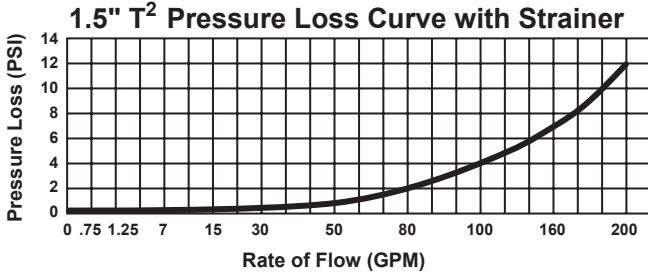
SPECIFICATIONS

Service	Measurement of potable and reclaim water. Storage temperature: -22F (-30C) to 155F (68.3C)	Operating temperatures: Air: -22F (-30C) to 150F (65.6C) Water: 33F (0.6C) to 80F (26.7)
Operating Range (100% ± 1.5%)	1-1/2": 1.25 - 200 GPM (0.28 - 45 m ³ /hr) 2": 1.5 - 250 GPM (0.34 - 57 m ³ /hr) 3": 2.5 - 650 GPM (0.57 - 148 m ³ /hr) 4": 3 - 1250 GPM (0.68 - 284 m ³ /hr)	6": 4 - 2500 GPM (0.91 - 568 m ³ /hr) 8": 5 - 3500 GPM (1.1 - 795 m ³ /hr) 10": 6 - 5500 GPM (1.4 - 1249 m ³ /hr)
Low flow (95% - 101.5%)	1-1/2": 0.75 GPM (0.17 m ³ /hr) 2": 1.0 GPM (0.23 m ³ /hr) 3": 1.5 GPM (0.34 m ³ /hr) 4": 2.0 GPM (0.45 m ³ /hr)	6": 2.5 GPM (0.57 m ³ /hr) 8": 4 GPM (0.91 m ³ /hr) 10": 5 GPM (1.1 m ³ /hr)
Maximum Continuous Operation	1-1/2": 160 GPM (36 m ³ /hr) 2": 200 GPM (45 m ³ /hr) 3": 500 GPM (114 m ³ /hr) 4": 1000 GPM (227 m ³ /hr)	6": 2000 GPM (454 m ³ /hr) 8": 3500 GPM (795 m ³ /hr) 10": 5500 GPM (1249 m ³ /hr)
Maximum Intermittent Operation	1-1/2": 200 GPM (45 m ³ /hr) 2": 250 GPM (57 m ³ /hr) 3": 650 GPM (148 m ³ /hr) 4": 1250 GPM (284 m ³ /hr)	6": 2500 GPM (568 m ³ /hr) 8": 4700 GPM (1067 m ³ /hr) 10": 7000 GPM (1590 m ³ /hr)
Pressure Loss	1-1/2": 6.9 psi @ 160 GPM (0.48 bar @ 36 m ³ /hr) 2": 7.0 psi @ 200 GPM (0.48 bar @ 45 m ³ /hr) 3": 5.1 psi @ 500 GPM (0.35 bar @ 114 m ³ /hr) 4": 8.7 psi @ 1000 GPM (0.60 bar @ 227 m ³ /hr)	6": 8.2 psi @ 2000 GPM (0.57 bar @ 454 m ³ /hr) 8": 5.1 psi @ 3500 GPM (0.35 bar @ 795 m ³ /hr) 10": 7.2 psi @ 5500 GPM (0.50 bar @ 1249 m ³ /hr)
Maximum Operating Pressure	200 PSI (13.8 bar)	
Flange Connections	U.S. ANSI B16.1 / AWWA Class 125	
Test Ports	NPT	
Register	Fully electronic sealed register with programmable registration (Gal. /Cu.Ft. / Cu. Mtr. / Imp. Gal. / Acre Ft.)	Programmable AMR/AMI reading and pulse outputs Guaranteed 10-year battery life
NSF Approved Materials	Maincase: Coated Ductile Iron Measuring Chamber: Thermoplastic Rotor "Floating Ball": Thermoplastic Radial Bearings: Hybrid Thermoplastic Thrust Bearings: Sapphire/Ceramic Jewel	Magnets: Ceramic Strainer Screen: Stainless Steel Strainer Cover: Coated Ductile Iron Test Plug: Stainless Steel

OMNI+ Turbo (T²) Water Meter

1-1/2", 2", 3", 4", 6", 8" and 10"

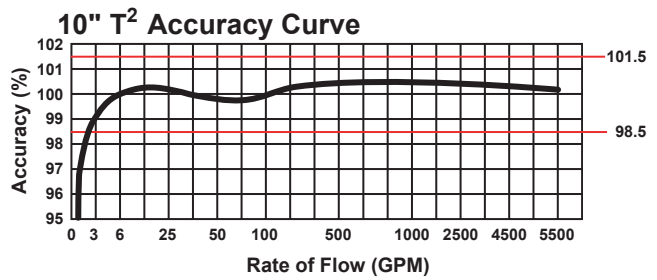
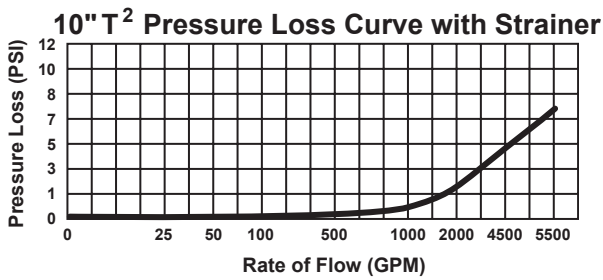
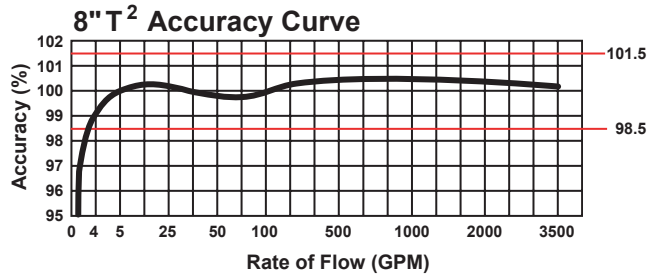
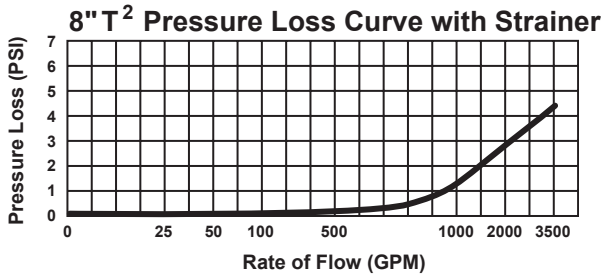
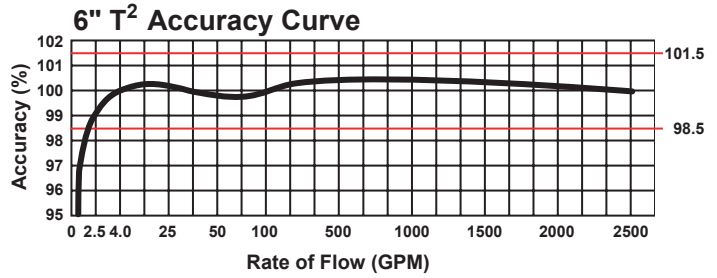
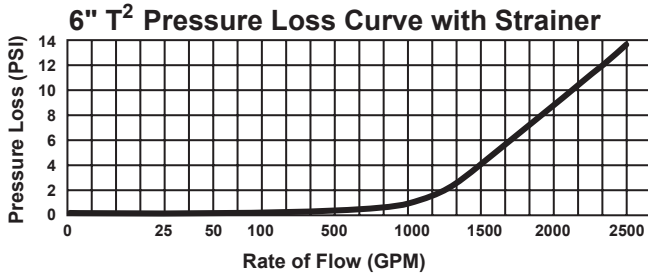
Headloss Curves



OMNI+ Turbo (T²) Water Meter

1-1/2", 2", 3", 4", 6", 8" and 10"

Headloss Curves



SENSUS | 637 Davis Drive | Morrisville, NC 27560 | 800.638.3748

©2021 Sensus. All products purchased and services performed are subject to Sensus' terms of sale, available at either sensus.com/TC or 1-800-638-3748. Sensus reserves the right to modify these terms and conditions in its own discretion without notice to the customer. The Sensus logo is a registered trademark of Sensus.

This document is for informational purposes only, and SENSUS MAKES NO EXPRESS WARRANTIES IN THIS DOCUMENT. FURTHERMORE, THERE ARE NO IMPLIED WARRANTIES, INCLUDING WITHOUT LIMITATION, WARRANTIES AS TO FITNESS FOR A PARTICULAR PURPOSE AND MERCHANTABILITY. ANY USE OF THE PRODUCTS THAT IS NOT SPECIFICALLY PERMITTED HEREIN IS PROHIBITED.

Xylem.com | Sensus.com



OMNI+ Compound (C²) Water Meter

1-1/2", 2", 3", 4", 6", 8" and 10"

The OMNI™+ Compound (C²) Water Meter operation is based on advanced Floating Ball Technology (FBT).

Performance

The patented measurement principles of the OMNI+ C² meter ensure greater accuracy, expanded accuracy range and longer service life than any other comparable class meter. The OMNI+ C² meter has no restrictions on sustained flow rates within its continuous range. The floating ball measurement technology allows installation in any orientation and flows up to maximum rated capacity without undue wear or accuracy degradation.

Construction

The OMNI+ C² meter consists of two basic assemblies; the maincase and the measuring chamber. The measuring chamber assembly includes the "floating ball" impeller with a coated titanium shaft, hybrid axial bearings, integral flow straightener and an all electronic programmable register with protective bonnet. The maincase is made from industry proven Ductile Iron with an approved NSF epoxy coating. Maincase features are; easily removable measuring chamber, unique chamber seal to the maincase using a high pressure o-ring, testing port and an AWWA compliant strainer.

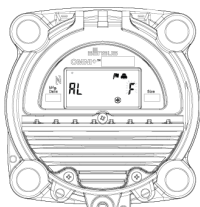
OMNI™+ REGISTER DISPLAY



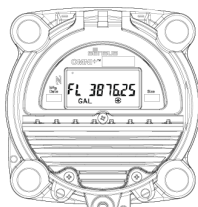
Segment Test View



Totalizer View



Notification View



Flow Rate View

Conformance to Standards

The OMNI+ C² meter meets and far exceeds the most recent revision of AWWA Standard C701 and C702 class II. Additionally, the meter does not require a valve to meet these standards. Each meter is performance tested to ensure compliance. All OMNI meters are NSF/ANSI Standard 61, Annex F and G approved latest standards.

OMNI+ Electronic Register

The OMNI+ electronic register is hermetically sealed with an electronic pickup containing no mechanical gearing. The OMNI+ register features a programmable totalizer registration, an optional digital pulse signal, AMI/ AMR reading digits, and a resettable test totalizer. The large, easy-to-read LCD also displays both forward and reverse flow directions. The OMNI+ tamper-proof security cover can be positioned in any of 270 degrees of rotation, with indexing points at each of the 90-degree customary register viewing positions.

Magnetic Drive

Meter registration is achieved by utilizing a fully magnetic pickup system. This is accomplished by the magnetic actions of the embedded rotor magnets and the ultra sensitive register pickup probe. The only moving component in water is the "floating ball" impeller.

Measuring Element

The hydro-dynamically balanced impeller floats between the bearings. The Floating Ball Technology (FBT) allows the measuring element to operate virtually without friction or wear, thus creating the extended upper and lower flow ranges capable on only the OMNI+ C² meter.

OMNI+ Compound (C²) Water Meter

1-1/2", 2", 3", 4", 6", 8" and 10"

Strainer

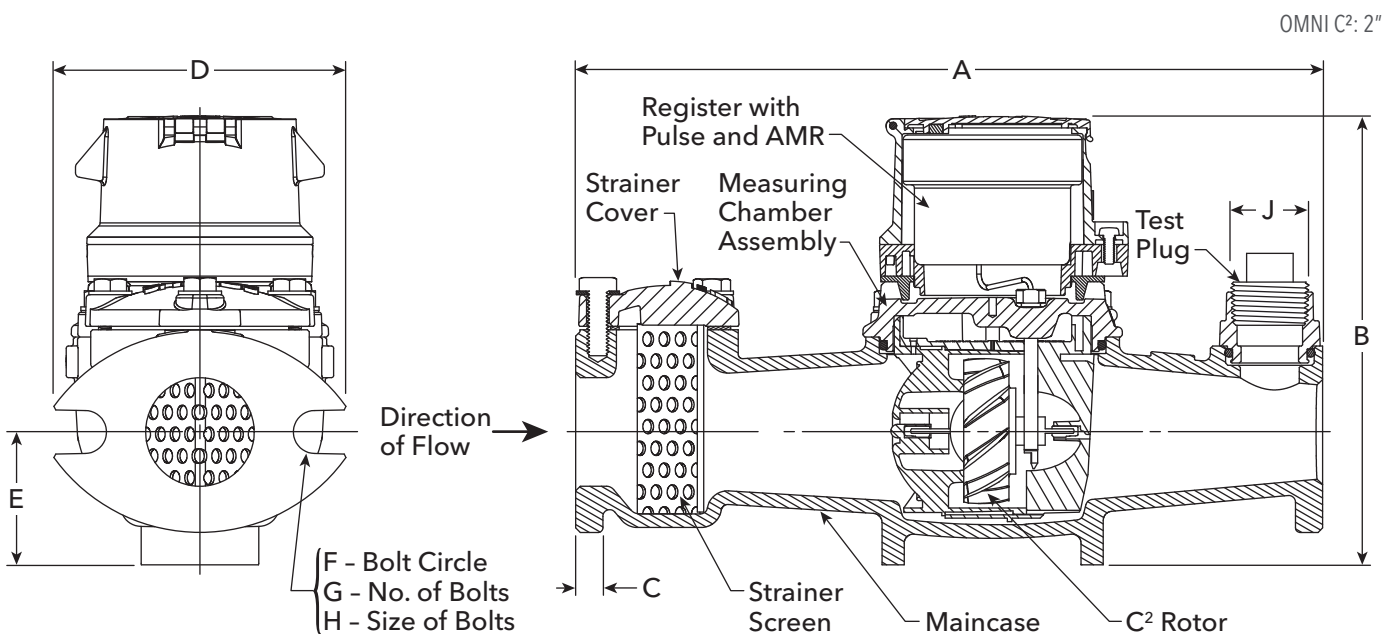
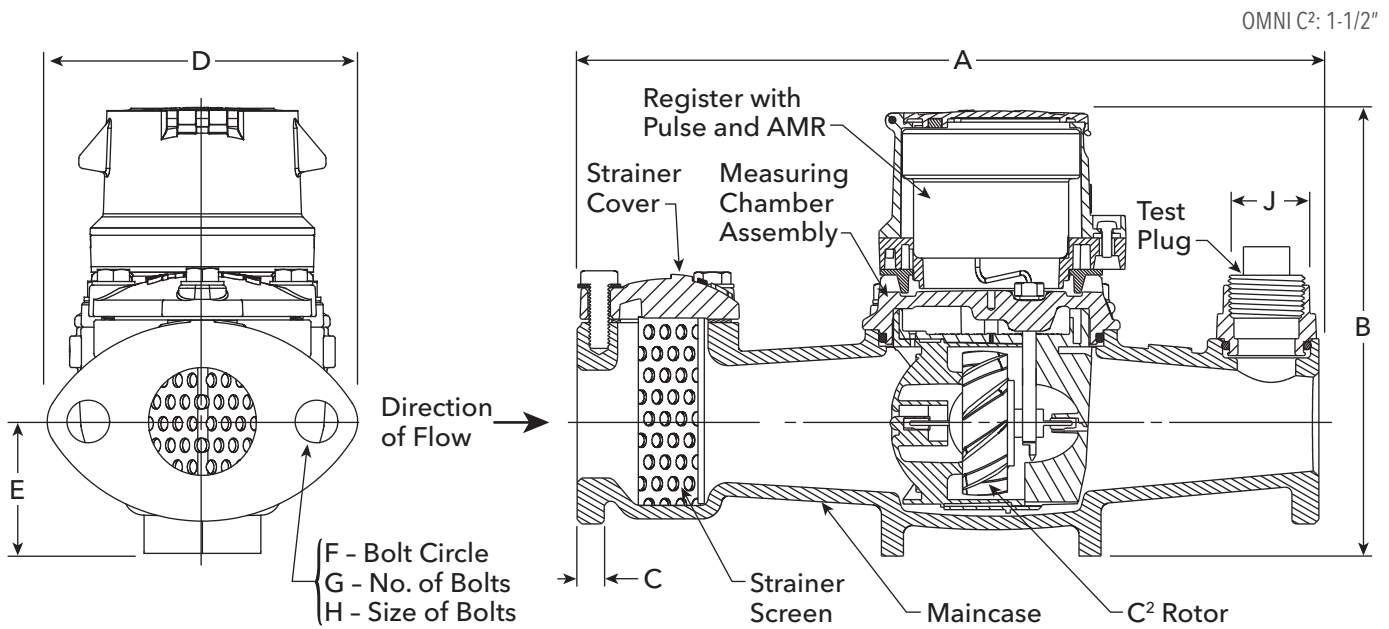
The OMNI+ C² with the AWWA compliant "V" shaped strainer uses a stainless steel screen along with Floating Ball Technology (FBT). This creates a design that greatly improves accuracy, even in difficult settings. A removable strainer cover permits easy access to the screen for routine maintenance.

AMR/AMI Systems

Meters and Electronic Registers are compatible with current Sensus AMR/AMI systems and other AMI communication systems that use the Sensus UI1203 protocol.

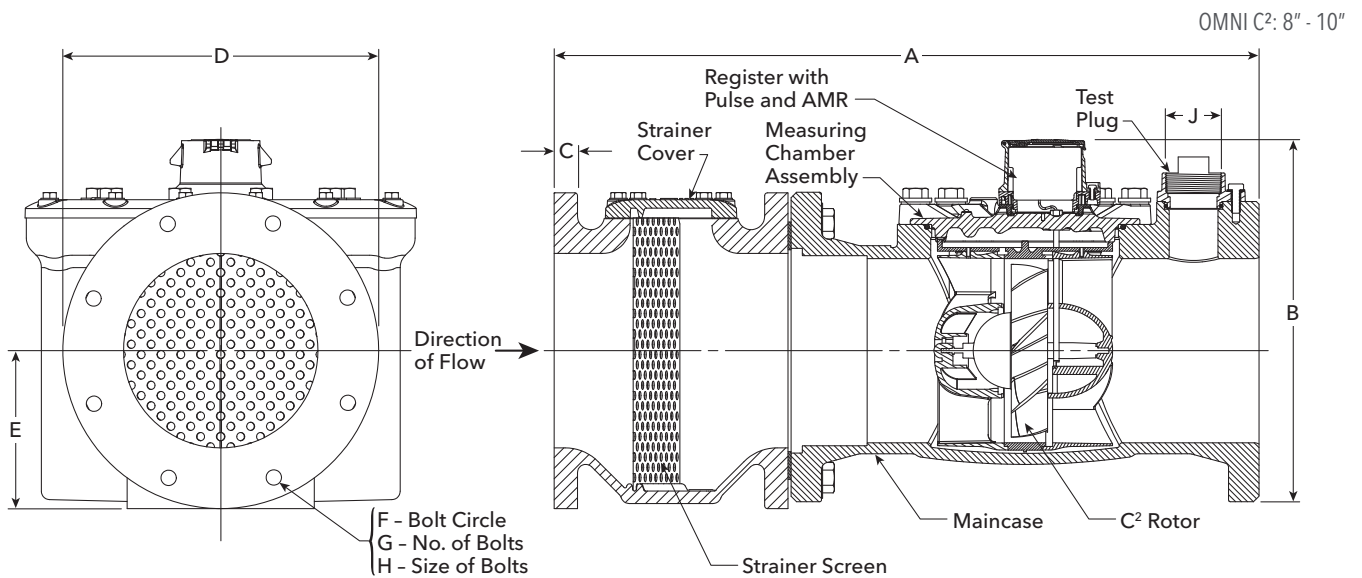
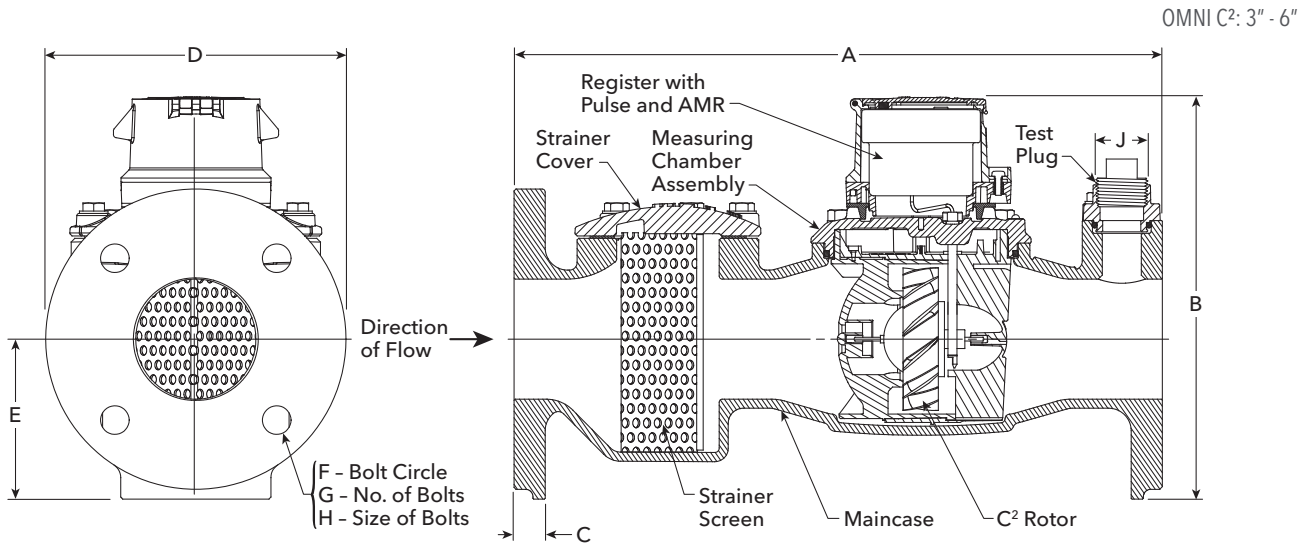
Maintenance

The OMNI+ C² meter is designed for easy maintenance. Should any maintenance be required, the measuring chamber and/or strainer cover can be removed independently. Replacement parts or complete measuring chambers are available for repairs. OMNI+ C² replacement measuring chambers may also be utilized to upgrade some third-party meters to achieve increased accuracy and extended service life.



OMNI+ Compound (C²) Water Meter

1-1/2", 2", 3", 4", 6", 8" and 10"



DIMENSIONS AND NET WEIGHTS

Meter and Pipe Size	Normal Operating Range		Connections	A	B	C	D	E	F	G	H	J	Net Weight	Shipping Weight
1-1/2" DN 40mm	.5 gpm .11 m ³ /hr	200 gpm 45 m ³ /hr	Flanged	13" 330mm	7-7/8" 200mm	15/16" 24mm	5-7/16" 138mm	2-5/16" 59mm	4" 102mm	2	5/8" 16mm	1" 25mm	18.8 lbs. 8.53 kg.	22.5 lbs. 10.20 kg.
2" DN 50mm	.5 gpm .11 m ³ /hr	200 gpm 45 m ³ /hr	Flanged	15-1/4" 387mm	7-7/8" 200mm	1" 25mm	5-3/4" 146mm	2-5/16" 59mm	4-1/2" 114mm	2	3/4" 19mm	1" 25mm	25.4 lbs. 11.5 kg.	32.5 lbs. 14.74 kg.
3" DN 80mm	1 gpm .23 m ³ /hr	500 gpm 114 m ³ /hr	Flanged	17" 432mm	8-3/4" 225mm	3/4" 19mm	7-7/8" 200mm	4-1/8" 105mm	6" 152mm	4	5/8" 16mm	1" 25mm	45 lbs. 20.41 kg.	48.0 lbs. 21.8 kg.
4" DN 100mm	1.5 gpm .34 m ³ /hr	1000 gpm 227 m ³ /hr	Flanged	20" 508mm	11-3/16" 284mm	15/16" 24mm	9-1/8" 232mm	4-3/4" 121mm	7-1/2" 191mm	8	5/8" 16mm	1-1/2" 38mm	64.9 lbs. 29.44 kg.	72.8 lbs. 33.02 kg.
6" DN 150mm	3 gpm .68 m ³ /hr	2000 gpm 454 m ³ /hr	Flanged	24" 610mm	13-1/4" 337mm	15/16" 24mm	11" 279mm	5-3/4" 146mm	9-1/2" 241mm	8	3/4" 19mm	1-1/2" 38mm	130 lbs. 59.0 kg.	155 lbs. 70.3 kg.
8" DN 200mm	4 gpm .91 m ³ /hr	2700 gpm 614 m ³ /hr	Flanged	30-1/8" 765mm	15" 381mm	11/16" 17mm	13-1/2" 343mm	6-3/4" 172mm	11-3/4" 298mm	8	3/4" 19mm	2" 51mm	471 lbs. 214 kg.	521 lbs. 236 kg.
10" DN 250mm	5 gpm 1.1 m ³ /hr	4000 gpm 908 m ³ /hr	Flanged	41-1/8" 1045mm	19" 483mm	11/16" 17mm	16" 406mm	8-1/2" 216mm	14-1/4" 362mm	12	7/8" 22mm	2" 51mm	685 lbs. 311 kg.	745 lbs. 338 kg.

OMNI+ Compound (C²) Water Meter

1-1/2", 2", 3", 4", 6", 8" and 10"

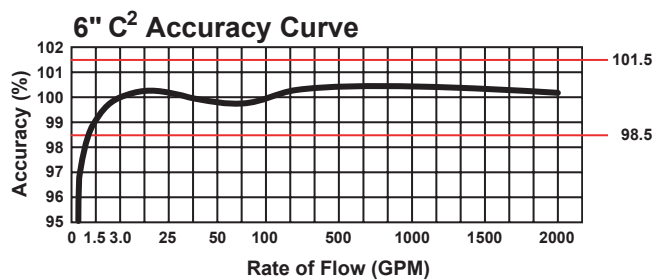
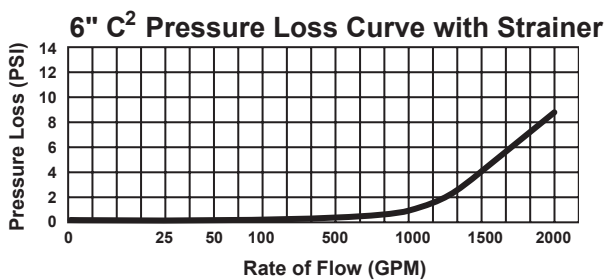
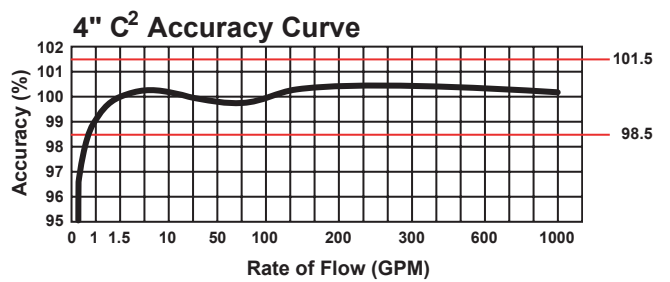
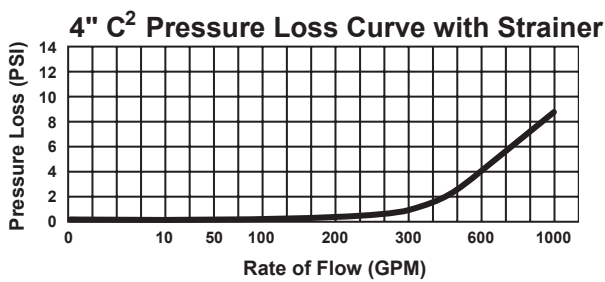
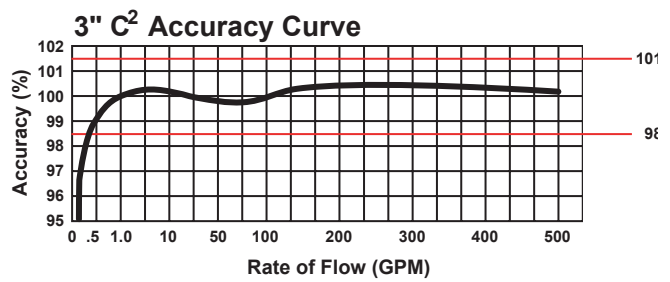
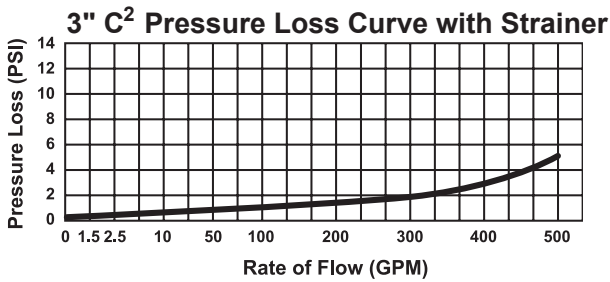
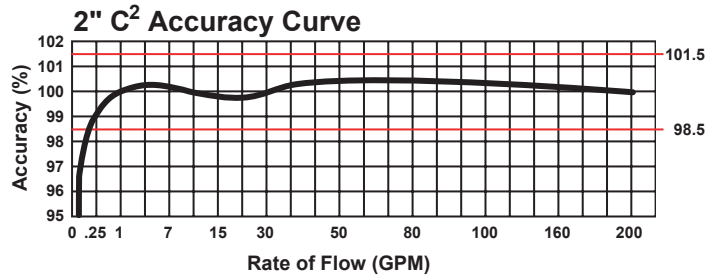
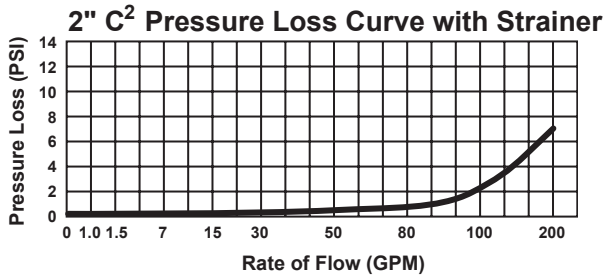
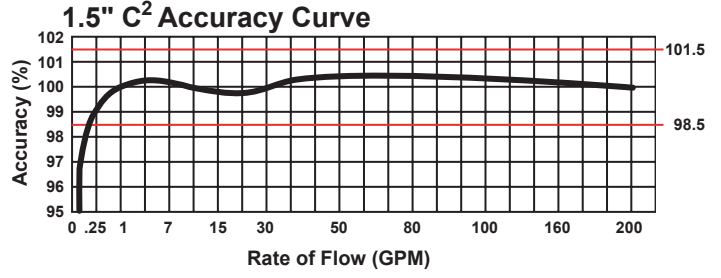
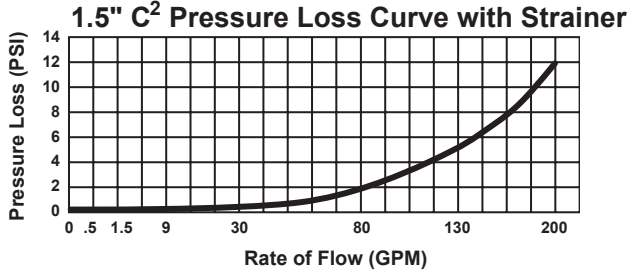
SPECIFICATIONS

Service	Measurement of potable and reclaim water. Storage temperature: -22F (-30C) to 155F (68.3C)	Operating temperatures: Air: -22F (-30C) to 150F (65.6C) Water: 33F (0.6C) to 80F (26.7C)
Operating Range (100% ± 1.5%)	1-1/2": 0.5 - 200 GPM (0.11 - 45 m3/hr) 2": 0.5 - 200 GPM (0.11 - 45 m3/hr) 3": 1.0 - 500 GPM (0.23 - 114 m3/hr) 4": 1.5 - 1000 GPM (0.34 - 227 m3/hr)	6": 3 - 2000 GPM (0.68 - 454 m3/hr) 8": 4 - 2700 GPM (0.91 - 614 m3/hr) 10": 5 - 4000 GPM (1.1 - 908 m3/hr)
Low flow (95% - 101.5%)	1-1/2": 0.25 GPM (.06 m3/hr) 2": 0.25 GPM (.06 m3/hr) 3": 0.5 GPM (0.11 m3/hr) 4": 0.75 GPM (0.17 m3/hr)	6": 1.5 GPM (0.34 m3/hr) 8": 2.5 GPM (0.57 m3/hr) 10": 3.5 GPM (0.8 m3/hr)
Maximum Continuous Operation	1-1/2": 160 GPM (36 m3/hr) 2": 160 GPM (36 m3/hr) 3": 400 GPM (91 m3/hr) 4": 800 GPM (182 m3/hr)	6": 1600 GPM (363 m3/hr) 8": 2700 GPM (614 m3/hr) 10": 4000 GPM (908 m3/hr)
Maximum Intermittent Operation	1-1/2": 200 GPM (45 m3/hr) 2": 200 GPM (45 m3/hr) 3": 500 GPM (114 m3/hr) 4": 1000 GPM (227 m3/hr)	6": 2000 GPM (454 m3/hr) 8": 3400 GPM (773 m3/hr) 10": 5000 GPM (1136 m3/hr)
Pressure Loss	1-1/2": 6.9 psi @ 160 GPM (0.48 bar @ 36 m3/hr) 2": 4.3 psi @ 160 GPM (0.30 bar @ 36 m3/hr) 3": 3.2 psi @ 400 GPM (0.22 bar @ 91 m3/hr) 4": 6.4 psi @ 800 GPM (0.44 bar @ 182 m3/hr)	6": 5.5 psi @ 1600 GPM (0.38 bar @ 363 m3/hr) 8": 4 psi @ 2700 GPM (0.28 bar @ 614 m3/hr) 10": 4.5 psi @ 4000 GPM (0.31 bar @ 908 m3/hr)
Maximum Operating Pressure	200 PSI (13.8 bar)	
Flange Connections	U.S. ANSI B16.1 / AWWA Class 125	
Test Ports	NPT	
Register	Fully electronic sealed register with programmable registration (Gal. /Cu.Ft./ Cu. Mtr. / Imp. Gal. / Acre Ft.)	Programmable AMR/AMI reading and pulse outputs Guaranteed 10-year battery life
NSF Approved Materials	Maincase: Coated Ductile Iron Measuring Chamber: Thermoplastic Rotor "Floating Ball": Thermoplastic Radial Bearings: Hybrid Thermoplastic Thrust Bearings: Sapphire/Ceramic Jewel	Magnets: Ceramic Strainer Screen: Stainless Steel Strainer Cover: Coated Ductile Iron Test Plug: Stainless Steel

OMNI+ Compound (C²) Water Meter

1-1/2", 2", 3", 4", 6", 8" and 10"

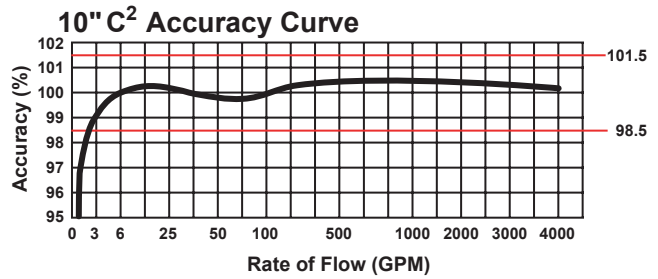
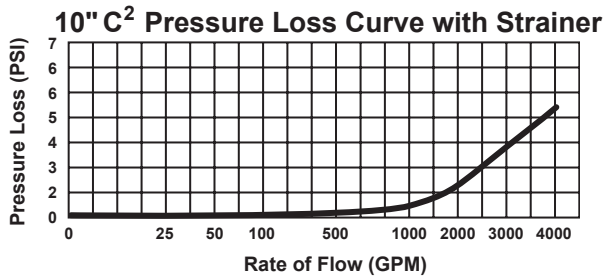
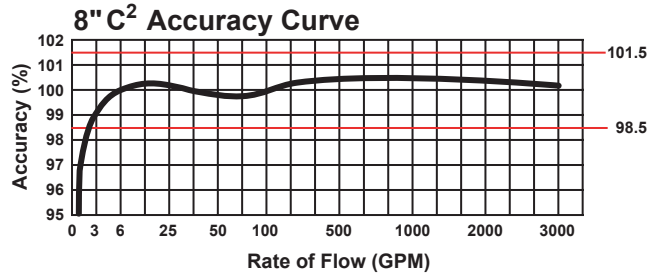
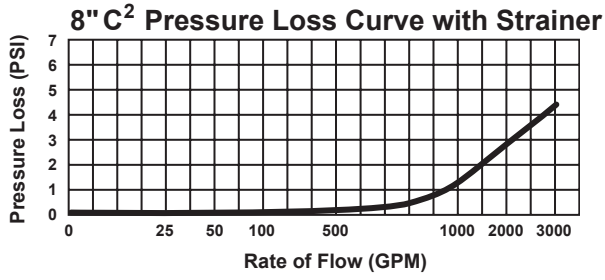
Headloss Curves



OMNI+ Compound (C²) Water Meter

1-1/2", 2", 3", 4", 6", 8" and 10"

Headloss Curves



SENSUS | 637 Davis Drive | Morrisville, NC 27560 | 800.638.3748

©2021 Sensus. All products purchased and services performed are subject to Sensus' terms of sale, available at either sensus.com/TC or 1-800-638-3748. Sensus reserves the right to modify these terms and conditions in its own discretion without notice to the customer. The Sensus logo is a registered trademark of Sensus.

This document is for informational purposes only, and SENSUS MAKES NO EXPRESS WARRANTIES IN THIS DOCUMENT. FURTHERMORE, THERE ARE NO IMPLIED WARRANTIES, INCLUDING WITHOUT LIMITATION, WARRANTIES AS TO FITNESS FOR A PARTICULAR PURPOSE AND MERCHANTABILITY. ANY USE OF THE PRODUCTS THAT IS NOT SPECIFICALLY PERMITTED HEREIN IS PROHIBITED.

Xylem.com | Sensus.com



Cordonel® Ultrasonic C&I water meter

Cordonel® is an innovative ultrasonic C&I water meter with patented flow technology that measures low- to high-volume flow with unmatched accuracy. Equipped with pressure and temperature sensing, alarms, and data storage, it fills a critical need in commercial, industrial, and irrigation markets.

FEATURES

- Advanced U0D0 capability - zero straight pipe requirements
- Installation in horizontal and vertical pipe orientations
- LCD for consumption, flow, temperature, pressure (optional) and status information
- NFC wireless interface for readout of the last volume reading
- Optional pulse output with programmable values and lengths

BENEFITS

- Maintenance free over its operational lifetime
- Constant accuracy over lifetime, no degradation as components age
- Secure encrypted data transmission
- 20-year average meter lifetime incl. battery under standard usage conditions

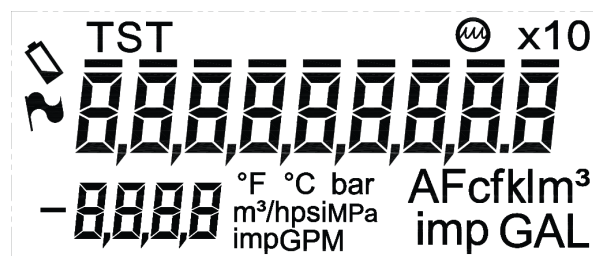
Superior accuracy

Cordonel's patented flow rate technology ensures that every drop of water passes through one of its three individual measuring paths. Cordonel's horizontal and vertical pipe orientations means no straight upstream and downstream pipe requirements; measurements are accurate even behind a 90-degree bend. With solid-state ultrasonic engineering and reliable readings over its 20-year battery life, Cordonel delivers accuracy unmatched in the industry.

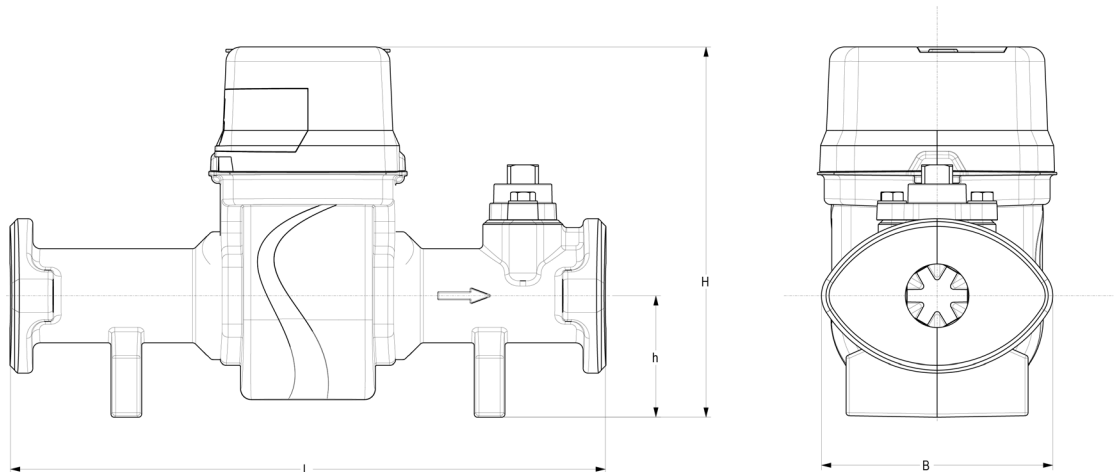
Applications

- AMI and AMR output for Smart Water Networks
- Measurement for billing of potable water up to 122 °F (50 °C)
- High flow such as irrigation
- Low flow such as light load periods
- Leak detection
- Control of industrial processes using a pulse output
- Supply of rich data for DMA analysis

Display



- Alarm is triggered
- Low battery level is reached
- TST System is set up in hydraulic testing mode
- Indicates positive or negative flow



DIMENSIONS AND NET WEIGHTS

Size	L (lay length)	B (width)	H (Height)	h (Height to pipe axis)	Net Weight (kg)
1.5" (DN 40 mm)	13" 330mm	6.22" 158mm	9.6" 244mm	3.15" 80mm	11.4
2" (DN 50 mm)	10" 254mm	6.22" 158mm	9.6" 244mm	3.15" 80mm	10.8
	15.25" 387mm	6.22" 158mm	9.6" 244mm	3.15" 80mm	12.6
	17" 432mm	6.22" 158mm	9.6" 244mm	3.15" 80mm	13.1
3" (DN 80 mm)	17" 432mm	7.87" 200mm	10.8" 275mm	3.74" 95mm	23.8
	19" 483mm	7.87" 200mm	10.8" 275mm	3.74" 95mm	24.9
4" (DN 100 mm)	20" 508mm	9" 229mm	12.2" 310mm	4.37" 111mm	34.0
	23" 584mm	9" 229mm	12.2" 310mm	4.37" 111mm	36.2

Cordone!®

Ultrasonic C&I water meter

SPECIFICATIONS

Service	Measurement of potable and reclaim water.			
Temperature Ranges	Water operating:	33 °F (0.55 °C) to 122 °F (50 °C)		
	Ambient air operating:	-22 °F (-30 °C) to 140 °F (60 °C)		
	Storage air:	-30 °F (-34.4 °C) to 158 °F (70 °C)		
Starting Flow	1-1/2" (DN 40 mm) size: 0.05 gpm (0.012 m3/h)	2" (DN 50 mm) size: 0.05 gpm (0.012 m3/h)	3" (DN 80 mm) size: 0.15 gpm (0.033 m3/h)	4" (DN 100 mm) size: 0.24 gpm (0.054 m3/h)
Low Flow (±3%)	1-1/2" (DN 40 mm) size: 0.18 gpm (0.04 m3/hr)	2" (DN 50 mm) size: 0.18 gpm (0.04 m3/hr)	3" (DN 80 mm) size: 0.44 gpm (0.10 m3/hr)	4" (DN 100 mm) size: 0.70 gpm (0.16m3/hr)
Normal Water Operating Flow Range (±1.5%)	1-1/2" (DN 40 mm) size: 0.26 to 176 gpm (0.06 to 40 m3/hr)	2" (DN 50 mm) size: 0.26 to 176 gpm (0.06 to 40 m3/hr)	3" (DN 80 mm) size: 0.70 to 440 gpm (0.16 to 100 m3/hr)	4" (DN 100 mm) size: 1.14 to 704 gpm (0.26 to 160 m3/hr)
Maximum Continuous Operation	1-1/2" (DN 40 mm) size: 220 gpm (50 m3/hr)	2" (DN 50 mm) size: 220 gpm (50 m3/hr)	3" (DN 80 mm) size: 550 gpm (125 m3/hr)	4" (DN 100 mm) size: 881 gpm (200 m3/hr)
Maximum Intermittent Operation	1-1/2" (DN 40 mm) size: 343 gpm (78 m3/hr)	2" (DN 50 mm) size: 396 gpm (90 m3/hr)	3" (DN 80 mm) size: 881 gpm (200 m3/hr)	4" (DN 100 mm) size: 1365 gpm (310 m3/hr)
Maximum Operating Pressure	200 PSI (13.8 bar)			
Register	Fully electronic sealed register with programmable registration (Gal. /Cu.Ft./ Cu. Mtr. / Imp. Gal. / Acre Ft.) Programmable		AMR/AMI reading and pulse outputs Guaranteed 20-year battery life	
Access Port	NPT			
Flange Connections	U.S. ANSI B16.1 / AWWA Class 125			
Materials	Maincase - Epoxy coated ductile iron Measuring Transducers - High grade polymer Inner tube - High grade polymer; stainless steel		Battery - Lithium Gaskets - EPDM Other materials - Glass fiber reinforced polymer; stainless steel	

Cordone!®

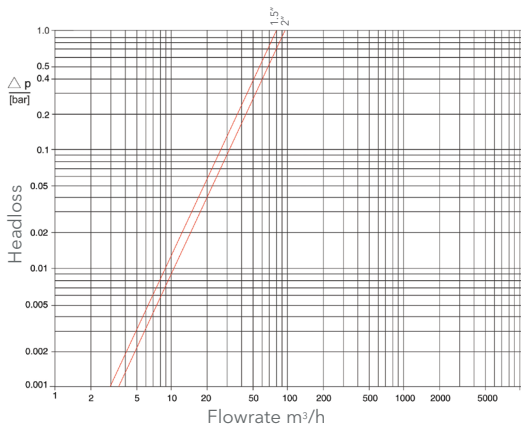
Ultrasonic C&I water meter

Smart Alarms

Cordone! meters have many configurable smart alarms designed to protect your utility's investment, enhance customer service, and monitor/optimize distribution systems. These alarms include:

- Empty Pipe
Detects the absence of water in the flow tube and sends an alert. Allows you to identify main breaks downstream and water shortages for quicker resolution to ensure water availability. This alarm can also indicate the water meter has been removed from service, or notify you of potential tamper.
- Customer Leak
Detect continual consumption of water over a period of time to indicate downstream leaks. This protects your utility, infrastructure and customers through alarm notifications that can reduce water loss and leak adjustment costs.
- Low Battery
Replace your meters before they stop recording consumption through alerts indicating battery capacity to the meter or valve is running low.
- Reverse Flow
Keep untreated water from re-entering your distribution system and deter tampering attempts through an alarm triggered when reverse flow is detected at the meter.
- High Flow
Detect broken pipes and reduce property damage through an alert triggered by the detection of excessive flow rates.
- Pressure
Get alerted when water pressure exceeds or falls below the pressure threshold to prevent potential disruptions of service. Standard in 3" and above; optional in 1.5" and 2" sizes.
- Temperature
Get alerted when water temperature exceeds or falls below the temperature threshold so you can take action to better protect your meter and water network assets.

Typical Headloss Curve



Xylem.com | Sensus.com

SENSUS | 637 Davis Drive | Morrisville, NC 27560 | 800.638.3748

©2022 Sensus. All products purchased and services performed are subject to Sensus' terms of sale, available at either sensus.com/TC or 1-800-638-3748. Sensus reserves the right to modify these terms and conditions in its own discretion without notice to the customer. The Sensus logo is a registered trademark of Sensus.

This document is for informational purposes only, and SENSUS MAKES NO EXPRESS WARRANTIES IN THIS DOCUMENT. FURTHERMORE, THERE ARE NO IMPLIED WARRANTIES, INCLUDING WITHOUT LIMITATION, WARRANTIES AS TO FITNESS FOR A PARTICULAR PURPOSE AND MERCHANTABILITY. ANY USE OF THE PRODUCTS THAT IS NOT SPECIFICALLY PERMITTED HEREIN IS PROHIBITED.

- General Product Coverage.** Unless otherwise provided herein, Sensus USA Inc. ("Sensus") warrants its products and parts to be free from defects in material and workmanship for one (1) year from the date of Sensus shipment and as set forth below. All products are sold to customer ("Customer") pursuant to Sensus' Terms of Sale, available at xylem.com.
- SR II® and accuSTREAM™ 5/8", 3/4" & 1" Meters** are warranted to perform to new meter accuracy level set forth in the SR II and accuSTREAM Data Sheets available at sensus.com for five (5) years from the date of Sensus shipment or until the registration shown below, whichever occurs first. Sensus further warrants that the SR II and accuSTREAM meters will perform to at least AWWA Repaired Meter Accuracy Standards for fifteen (15) years from the date of Sensus shipment or until the registration shown below, whichever occurs first:

	New Meter Accuracy	Repair Meter Accuracy
5/8" SR II Meter and accuSTREAM Meter	500,000 gallons	1,500,000 gallons
3/4" SR II Meter and accuSTREAM Meter	750,000 gallons	2,250,000 gallons
1" SR II Meter and accuSTREAM Meter	1,000,000 gallons	3,000,000 gallons

- SR II maincases** are warranted to be free from defects in material and workmanship for twenty-five (25) years from the date of Sensus shipment. accuSTREAM maincases will be free from defects in material and workmanship for fifteen (15) years from the date of Sensus shipment.
- ally® Meters** that register water flow are warranted to perform to the accuracy level set forth in the ally data sheet available at sensus.com for fifteen (15) years from the Date of Installation, but no longer than sixteen (16) years from date of manufacture, not including the meter's sensors, valve, and gear motor, which are warranted under different terms described below. As used herein, "Date of Installation" means the date after which the ally Meter has been out of empty pipe for seven (7) consecutive days, as those days are measured by the ally Meter and stored in the meter's nonvolatile memory.
- ally® Meter Batteries and Components**, including SmartPoint 510M/520M Modules are warranted to be free from defects in material and workmanship from the Date of Installation, as defined in Section 4, for the period stated below:

Batteries	15 years ¹
Sensors	5 years
Valve & Gear Motor	5 years ²
SmartPoint 510M/520M modules and batteries in service w/ally	15 years ¹

- iPERL® Meters** that register water flow are warranted to perform to the accuracy levels set forth in the iPERL data sheet available at sensus.com for twenty (20) years from the date of Sensus shipment. The iPERL System Component warranty does not include the external housing.
- iPERL, ally, OMNI+, and Cordonel Connectors and Cables** are warranted to be free from defects in materials and workmanship, under normal use and service, for ten (10) years from the date of Sensus shipment. Nicor or Itron connectors included with a Sensus product are warranted according to the terms for Third-Party Devices in Section 16.
- Sensus OMNI™, OMNI+ Meters and Propeller Meters** are warranted to perform to as set forth in OMNI and Propeller data sheets for eighteen (18) months from the date of Sensus shipment.
- Sensus Cordonel Meters** are warranted to perform to the accuracy levels as set forth in the Cordonel data sheet available at sensus.com for twenty (20) years from the date of Sensus shipment. The Cordonel System Component warranty does not include the external housing.
- Sensus Cordonel maincases** are warranted to maintain their structural integrity for a period of twenty (20) years from the date of Sensus shipment.

¹ If applicable, any SmartPoint 510M/520M Modules ever paired with an ally meter or Cordonel with pressure meter are warranted with the following limitations:

- When configured to the default installation setting of six transmissions of metrology and pressure per day and one update of temperature per day, the SmartPoint module is warranted to perform up to five (5) firmware upgrades for the SmartPoint module and up to five (5) firmware upgrades for the ally meter or Cordonel (with pressure) meter;
- 2500 Operational Commands, where "Operational Commands" include on demand reads (such as consumption, pressure, temperature), an ally meter valve command, or a configuration command; and
- 15 Diagnostic Commands, which includes two-way communications tests and installations for the first ten (10) years from Date of Installation at no cost. For the remaining five (5) years, Customer will pay the reduced Replacement Price of the then-current list price in effect at the time the product is accepted for return in accordance with the following schedule:

Years	Replacement Price	Years	Replacement Price	Years	Replacement Price
1-10	0%	13	55%	15	75%
11	35%	14	65%	>15	100%
12	45%				

² Notwithstanding the foregoing, valve and gear motor components of ally meters are not warranted beyond two thousand (2000) Valve State Operations, even if the warranty period provided herein has not yet expired. As used herein, "Valve State Operations" means adjustments of the Meter to open, close, or reduce flow.

- Cordonel Meter Batteries and Components** are warranted to be free from defects in material and workmanship from the Date of Installation, as defined in Section 9, for the period stated below:

Batteries	20 years ³
Sensors	5 years
SmartPoint 510M/520M modules and batteries in service w/ Cordonel models with pressure	15 years ¹

- Sensus accuMAG™ and Hydroverse™ Meters** are warranted to be free from defects in material and workmanship, under normal use and service, for 18 months from the date of Sensus shipment or 12 months from startup, whichever occurs first.
- Sensus Registers** are warranted to be free from defects in material and workmanship from the date of Sensus shipment for the periods stated below or until the applicable registration for AWWA Repaired Meter Accuracy Standards, as set forth above, are surpassed, whichever occurs first:

5/8" thru 2" SR II, accuSTREAM Standard Registers	25 years
5/8" thru 2" SR II, accuSTREAM Encoder Registers	10 years
All HSPU, IMP Contactor, R.E.R. Elec. ROFI	1 year
OMNI and OMNI+ Registers with Battery	10 years
Standard and Encoder Registers for Propeller Meters	1 year

- Sensus Electric and Gas Meters** are warranted pursuant to the General Limited Warranty available at sensus.com/TC.

- Batteries, iPERL System Components, AMR and FlexNet® Communication Network AMI Interface Devices** are warranted to be free from defects in material and workmanship from the date of Sensus shipment for the period stated below:

7500 series Hand-Held Device	2 years
Act-Pak® Remote Monitoring Instruments	1 year
CPTP100	20 years ⁴
EasyLink Reader	1 year
Electronic TouchPad	10 years
FlexNet Base Station (including the R100NA and M400 products)	1 year
Gas SmartPoint® Modules and Batteries	20 years ⁵
iPERL System Battery and iPERL System Components	20 years ³
RM4160	1 year

- Sensus will repair or replace non-performing:

- iPERL System Batteries, and/or the iPERL System flowtube, the flow sensing and data processing assemblies, and the register ("iPERL System Components") with hourly reads manufactured after April 2018
- Cordonel System Batteries, the flow sensing and data processing assemblies, and the register ("Cordonel System Components")
- SmartPoint 510M/520M/515M/512M-PLS/522M Modules manufactured after April 2018 (configured to the factory setting of six transmissions per day under normal system operation of up to one demand read to each SmartPoint Module per month and up to five firmware downloads during the life of the product) and batteries, unless the SmartPoint 510M/520M/522M Module is ever paired with an ally Meter, which immediately amends the warranty terms to those described in Section 13 at no cost for the first fifteen (15) years from the date of Sensus shipment, and for the remaining five (5) years at a prorated percentage, applied towards the published list price in effect for the year the product is accepted by Sensus under the warranty conditions according to the following schedule:

Years	Replacement Price	Years	Replacement Price	Years	Replacement Price
1-15	0%	18	50%	20	70%
16	30%	19	60%	>20	100%
17	40%				

- Sensus will repair or replace non-performing CPTP100 modules (configured at factory setting of four transmissions per day under normal system operations of up to one demand read per month and up to five firmware downloads during the life of the product) and batteries.

- Sensus will repair or replace non-performing Gas SmartPoint Modules (configured to the factory setting of six transmissions per day under normal system operation of up to one demand read to each SmartPoint Module per month and up to five firmware downloads during the life of the product) and batteries, for the first ten (10) years from the date of Sensus shipment, and for the remaining ten (10) years, at a prorated percentage, applied towards the published list prices in effect for the year product is accepted by Sensus under warranty conditions according to the following schedule:

Years	Replacement Price	Years	Replacement Price	Years	Replacement Price
1-10	0%	14	45%	18	65%
11	30%	15	50%	19	70%
12	35%	16	55%	20	75%
13	40%	17	60%	>20	100%

Sensus® Electronic Register+™	20 years ⁶
Sensus® Smart Gateway Sensor Interface	1 year ⁷
SmartPoint® 510M/520M/515M/512M Modules and Batteries	20 years ³
Vehicle Gateway Base Station (VGB) and other AMR Equipment	1 year

not apply in the event of Force Majeure, as defined in the Terms of Sale.

THE WARRANTIES SET FORTH IN THIS SENSUS G-500 LIMITED WARRANTY ARE THE ONLY WARRANTIES GIVEN WITH RESPECT TO THE GOODS, SOFTWARE, SOFTWARE LICENSES AND SERVICES SOLD OR OTHERWISE PROVIDED BY SENSUS. SENSUS EXPRESSLY DISCLAIMS ANY AND ALL OTHER REPRESENTATIONS, WARRANTIES, CONDITIONS, EXPRESSED, IMPLIED, STATUTORY OR OTHERWISE, REGARDING ANY MATTER IN CONNECTION WITH THIS SENSUS G-500 LIMITED WARRANTY OR WITH THE TERMS OF SALE, INCLUDING WITHOUT LIMITATION, WARRANTIES AS TO FITNESS FOR A PARTICULAR PURPOSE, MERCHANTABILITY, NON-INFRINGEMENT AND TITLE.

SENSUS ASSUMES NO LIABILITY FOR COSTS OR EXPENSES ASSOCIATED WITH LOST REVENUE OR WITH THE REMOVAL OR INSTALLATION OF EQUIPMENT. THE FOREGOING REMEDIES ARE CUSTOMER'S SOLE AND EXCLUSIVE REMEDIES FOR THE FAILURE OF EQUIPMENT, LICENSED SOFTWARE OR SOFTWARE SERVICES, AND OTHER SERVICES TO CONFORM TO THEIR RESPECTIVE WARRANTIES.

16. **Third-Party Devices** are warranted to be free from defects in materials and workmanship, under normal use and service, for one (1) year from the date of Sensus shipment. As used in this Sensus Limited Warranty, "Third Party Devices" means any product, device, or component part used with a Sensus product that is manufactured or sold by any party that is not Sensus. Failure of a Third-Party Device which subsequently causes failure to a Sensus device shall be the responsibility of the manufacturer of the Third-Party Device.
17. **Software.** Software supplied and/or licensed by Sensus is supported according to the terms of the applicable software license or usage agreement. Sensus warrants that any network and monitoring services shall be performed in a professional and workmanlike manner.
18. **Return.** Sensus' obligation, and Customer's exclusive remedy, under this Sensus Limited Warranty is, at Sensus' option, to either (i) repair or replace the product, provided the Customer (a) returns the product to the location designated by Sensus within the warranty period; and (b) prepays the freight costs both to and from such location; or (ii) deliver replacement components to the Customer, provided the Customer installs, at its cost, such components in or on the product (as instructed by Sensus), provided, that if Sensus requests, the Customer (a) returns the product to the location designated by Sensus within the warranty period; and (b) prepays the freight costs both to and from such location. In all cases, if Customer does not return the product within the time period designated by Sensus, Sensus will invoice, and Customer will pay within thirty days of the invoice date, for the cost of the replacement product and/or components.

The return of products for warranty claims must follow Sensus' Returned Materials Authorization (RMA) procedures. Water meter returns must include documentation of the Customer's test results. Test results must be obtained according to AWWA standards and must specify the meter serial number. The test results will not be valid if the meter is found to contain foreign materials. If Customer chooses not to test a Sensus water meter prior to returning it to Sensus, Sensus will repair or replace the meter, at Sensus' option, after the meter has been tested by Sensus. The Customer will be charged Sensus' then current testing fee. All products must be returned in accordance with the RMA process. For all returns, Sensus reserves the right to request meter reading records by serial number to validate warranty claims.

For products that have become discontinued or obsolete ("Obsolete Product"), Sensus may, at its discretion, replace such Obsolete Product with a different product model ("New Product"), provided that the New Product has substantially similar features as the Obsolete Product. The New Product shall be warranted as set forth in this Sensus Limited Warranty.

THIS SECTION 18 SETS FORTH CUSTOMER'S SOLE REMEDY FOR THE FAILURE OF THE PRODUCTS, SERVICES OR LICENSED SOFTWARE TO CONFORM TO THEIR RESPECTIVE WARRANTIES.

19. **Warranty Exceptions and No Implied Warranties.** This Sensus G-500 Limited Warranty does not include costs for removal or installation of products, or costs for replacement labor or materials, which are the responsibility of the Customer. The warranties in this Sensus G-500 Limited Warranty do not apply to and Sensus has no liability for goods that have been: installed improperly or in non-recommended installations; installed to a socket that is not functional, or is not in safe operating condition, or is damaged, or is in need of repair; tampered with; modified or repaired with parts or assemblies not certified in writing by Sensus, including without limitation, communication parts and assemblies; improperly modified or repaired (including as a result of modifications required by Sensus); converted; altered; damaged; read by equipment not approved by Sensus; for water meters, used with substances other than water, used with non-potable water, or used with water that contains dirt, debris, deposits, or other impurities; subjected to misuse, improper storage, improper care, improper maintenance, or improper periodic testing (collectively, "Exceptions."). If Sensus identifies any Exceptions during examination, troubleshooting or performing any type of support on behalf of Customer, then Customer shall pay for and/or reimburse Sensus for all expenses incurred by Sensus in examining, troubleshooting, performing support activities, repairing, or replacing any Equipment that satisfies any of the Exceptions defined above. The above warranties do

20. **Limitation of Liability.**

- SENSUS' AGGREGATE LIABILITY IN ANY AND ALL CAUSES OF ACTION ARISING UNDER, OUT OF OR IN RELATION TO THIS AGREEMENT, ITS NEGOTIATION, PERFORMANCE, BREACH OR TERMINATION (COLLECTIVELY "CAUSES OF ACTION") SHALL NOT EXCEED THE TOTAL AMOUNT PAID BY CUSTOMER TO SENSUS UNDER THIS AGREEMENT. THIS IS SO WHETHER THE CAUSES OF ACTION ARE IN TORT, INCLUDING, WITHOUT LIMITATION, NEGLIGENCE OR STRICT LIABILITY, IN CONTRACT, UNDER STATUTE OR OTHERWISE.
- AS A SEPARATE AND INDEPENDENT LIMITATION ON LIABILITY, SENSUS' LIABILITY SHALL BE LIMITED TO DIRECT DAMAGES. SENSUS SHALL NOT BE LIABLE FOR: (I) ANY INDIRECT, INCIDENTAL, SPECIAL OR CONSEQUENTIAL DAMAGES; NOR (II) ANY REVENUE OR PROFITS LOST BY CUSTOMER OR ITS AFFILIATES FROM ANY END USER(S), IRRESPECTIVE OF WHETHER SUCH LOST REVENUE OR PROFITS IS CATEGORIZED AS DIRECT DAMAGES OR OTHERWISE; NOR (III) ANY IN/OUT COSTS; NOR (IV) MANUAL METER READ COSTS AND EXPENSES.
- The limitations on liability set forth in this Agreement are fundamental inducements to Sensus entering into this Agreement. They apply unconditionally and in all respects. They are to be interpreted broadly so as to give Sensus the maximum protection permitted under law.
- To the maximum extent permitted by law, no Cause of Action may be instituted by Customer against Sensus more than TWELVE (12) MONTHS after the Cause of Action first arose. In the calculation of any damages in any Cause of Action, no damages incurred more than TWELVE (12) MONTHS prior to the filing of the Cause of Action shall be recoverable.

6 Sensus will repair or replace non-performing Sensus Electronic Register+ with hourly reads for the first ten (10) years from the date of Sensus shipment, and for the remaining ten (10) years, at a prorated percentage, applied towards the published list prices in effect for the year product is accepted by Sensus under warranty conditions according to the following schedule:

Years	Replacement Price	Years	Replacement Price	Years	Replacement Price
1-10	0%	14	45%	18	65%
11	30%	15	50%	19	70%
12	35%	16	55%	20	75%
13	40%	17	60%	>20	100%

7 Sensus® Smart Gateway Sensor Interface warranty valid only for analog Meter Sample Rates of four times per hour with a Standard Transmit Rate of hourly or greater for the analog channel(s).

Thirkettle Corporation General Terms of Sale

1. DEFINITIONS.

- 1.1. "Customer" means the party purchasing goods or services pursuant to these Terms of Sale ("Terms").
- 1.2. "Company" means Thirkettle Corporation, including without limitation wholly owned subsidiaries Aqua-Metric Sales Company™ and Utiliuse™, who is the authorized reseller of certain Goods provided to Customer.
- 1.3. "Goods" broadly means the collective Products and/or Services sold or otherwise provided by the Company.
- 1.4. "Product" means any tangible material, object, or software offered for sale by the Company.
- 1.5. "Service" means a business act or task as performed by an individual at a predetermined billable rate.
- 1.6. "Supplier" refers to a third-party business entity who manufactures or supplies various Goods furnished by the Company.

2. **CONTRACT OF SALE.** All Goods offered for sale are subject to the prices and terms specified in (i) the Terms outlined herein, (ii) an applicable Company quotation, bid, or proposal (collectively, the "Proposal"), and/or (iii) separate agreement duly executed by and between the Company and Customer; all of which are subject to change. A Customer's purchase order or similar writing shall constitute an acceptance of the offer to sell (the "Agreement"); however, any inconsistent, additional or different terms to the Proposal contained in a Customer's request for quotation or purchase order (collectively, "Additional Terms") are hereby objected to and rejected by the Company. Such Additional Terms will not become part of the Agreement unless accepted by the Company in a writing. Notwithstanding anything to the contrary herein, these Terms may be incorporated by reference or otherwise modified, in whole or in part, into a mutually acceptable agreement duly executed between the Company and the Customer.

3. **PROPOSALS.** Proposals are inclusive of only the Goods detailed within a formal Company quotation form. Proposals will remain valid for a period of thirty (30) days unless otherwise noted. All pricing is subject to change based on the manufacturer's suggested retail price. The Company reserves the right to apply a price adjustment to all quotes or orders received and not delivered to the Customer as a result of economic price increase or decrease in cost of raw materials, labor, or transport at the time imposed by the Company's Suppliers. Any supplemental or incidental Goods required but not included will be subject to additional costs to the Customer. THE COMPANY MAKES NO GUARANTEE, EITHER EXPRESSED OR IMPLIED, THAT PROPOSAL PRICING IS ALL INCLUSIVE.

4. **ANNUAL SERVICES.** Annual Services are the recurring fees for software or Services required to operate, maintain, or support Customer's product and/or software; including but not limited to annual support fees, Software-as-a-Service (or "SaaS") licensing fees, server or data hosting and licensing fees, or any fee requiring a fee for service. Unless otherwise agreed upon in writing between the Company and Customer, annual subscription services will automatically renew annually and will be subject to an automatic annual escalation to the antecedent annual fee imposed by the Supplier.

5. **TAXES AND FEES.** All prices quoted are exclusive of federal taxes, state taxes, municipal taxes, tariffs, duties, and other government-imposed fees (collectively the "Taxes and Fees") related to the procurement, installation, and delivery of materials and equipment. Customer shall be liable for all Taxes and Fees imposed upon the Goods purchased under this Agreement. Taxes and Fees will be added to each applicable invoice and are the responsibility of the Customer. If Customer is exempt from sales tax, Customer is required to provide all applicable tax exemption documentation at the time of purchase. Any changes in Taxes and Fees during this Agreement may result in adjustments to the final invoice accordingly.

6. **PAYMENT TERMS.** Customer shall pay all undisputed invoices in US Dollars within thirty (30) days of the invoice date. The Company reserves the right to establish credit limits for Customer and may require full or partial payment prior to provisioning of any Goods. All payments shall be made via credit card (VISA or MasterCard), check or electronic ACH payment. In the event of dispute, Customer must notify the Company, in

writing, within seven (7) days of receipt of an invoice. Notwithstanding, if Customer fails to pay any non-disputed invoice within 30 days of the invoice date, the Company may, in its sole discretion, 1) assess late fees in the amount of one (1) percent per calendar day past due or the highest rate permitted by law, 2) place Customer on "credit hold" and withhold or suspend, in whole or in part, current or future orders or business Services, including without limitation the Annual Services; until Customer has paid all delinquent amounts plus any applicable late fees to the Company. Further, the Company may, in its sole discretion, transfer delinquent invoices to a third-party collections agency. In such event, Customer will be responsible for all fees assessed, including reasonable attorney fees, to collect Customer debts.

7. **PRODUCT LEAD TIMES.** All purchase orders will be prioritized and fulfilled in the order received. Stock orders will be fulfilled in the most expeditious means available. Non-stock or special order Goods delivery times will be subject to availability and Supplier lead times.

8. **PACKAGING.** The Company reserves the right to select the manner in which Products are packaged. Quoted prices include standard packaging. Special requirements for packaging will be subject to additional charges.

9. **SHIPPING AND HANDLING.** All Products will be shipped Freight on Board (FOB) Destination Freight Prepaid and Added. The Company will ship all Products using the most economical ground transportation service. Expedited shipments, such as "next day" or "second day", will be at the Customers expense unless otherwise agreed upon by the Company. All applicable shipping and handling charges will be included on the Company's invoice to the Customer. The Company does not guarantee and therefore will not be liable for any delays in shipment.

10. **FREIGHT.** Oversized Product(s) or bulk orders will be shipped on standard Less-Than-Truckload ("LTL") freight carriers when applicable. The Customer is required to provide the necessary equipment required (i.e. loading dock, fork lift, pallet jack, etc.) to unload the shipment upon arrival. If the Customer does not have access to equipment necessary to unload the Product(s), Customer must inform the Company in advance and prior to shipment. Customer will be responsible for any additional cost(s) or fee(s) incurred for special handling requirements.

11. **FREIGHT ALLOWANCE.** Single Sensus product orders exceeding \$80,000 will be shipped FOB Freight Allowed unless otherwise specified and agreed upon in writing. Freight allowance is only applicable to single orders shipped complete. Partial shipments must be specified in writing at the time of order placement. The Company reserves the right to refuse freight allowance and/or bill partial freight costs on final invoice.

12. **TITLE.** Title of Product(s) shall transfer to customer on the date of delivery to Customer's premises.

13. **LOSS OR DAMAGE CLAIMS.** The Customer is responsible for reporting lost or damaged Products as a result of improper packaging and/or handling to the Company within fifteen (15) business days. Claims may become void if made more than fifteen (15) business days after the product shipment date. Damaged Product(s) will be returned to the point of origin for inspection. The Company reserves the right to repair or replace product(s) damaged in shipment.

14. **CHANGES OR CANCELLATIONS.** Orders submitted to the Company must be canceled or changed by Customer in writing prior to the shipment of Product(s). The Company reserves the right to invoice shipping charges for orders cancelled after deliverables shipped.

15. **RETURNS.** No Product(s) may be returned for refund without the prior written authorization of the Company. The Company reserves the right to refund the cost of deliverables less a restocking fee and/or shipping and handling charges upon receipt of return product. Refunds will be processed and issued within thirty (30) days from the receipt of the returned product(s). Authorized returns must be received by the Company within six (6) months of the delivery date to the Customer, in "like-new" condition to the Company's designated receiving point, must be shipped in original or suitable packaging, must be accompanied by a packing slip, including the Company's return authorization number, and must have transportation charges prepaid. All returned product(s) will be inspected upon delivery for any indication of use or damage. Customer will be responsible for returning the product(s) to the Company's designated distribution warehouse and any cost(s) incurred to repack and/or shipping carrier fees. Customer will be responsible

Thirkettle Corporation General Terms of Sale

for any damages incurred during shipment. The Company reserves the right to refuse Product(s) which have been installed, used, or otherwise returned in any condition other than new. The Company reserves the right to deduct an adequate service charge to cover all inspection, testing and handling from any return.

16. **RESTOCKING FEE.** Return Product(s) are subject to a twenty-five percent (25%) restocking fee. Special order Product(s), including but not limited to: meter reading equipment, infrastructure, or any Product(s) requiring a unique configuration, are subject to fifty percent (50%) restocking fee. Due to the custom configuration of electric meters, all electric meter sales are final.

17. **OBSOLESCENCE.** The Company shall not be held liable for planned or unplanned obsolescence of product(s), parts, or software discontinued by any Supplier.

18. **PRODUCT WARRANTIES.**

18.1. EXCEPT AS SPECIFICALLY SET FORTH IN THIS AGREEMENT, THE SERVICES AND SOFTWARE ARE PROVIDED BY THE COMPANY ON AN "AS IS" AND "AS AVAILABLE" BASIS WITHOUT WARRANTIES OF ANY KIND, EITHER EXPRESS OR IMPLIED, INCLUDING BUT NOT LIMITED TO IMPLIED WARRANTIES OF MERCHANTABILITY AND FITNESS FOR A PARTICULAR PURPOSE; HOWEVER, ANY SUPPLIER WARRANTIES RECEIVED BY THE COMPANY FROM ITS SUPPLIERS SHALL BE PASSED ONTO CUSTOMER.

18.2. The Company warrants that the Services provided by the Company will be performed in a professional and workmanlike manner with a degree of care, skill and competence that is consistent with the then generally accepted industry standards reasonably expected of similar types of engagements and the Goods will substantially conform to the Goods specified in the applicable Proposal.

18.3. The Company further warrants that the Product(s) furnished shall be provided to the best of the Company's reasonable ability and in accordance with the information and data provided by Customer in the preparation of the Proposal. The Company makes no representation, warranty, or covenants that the Product(s) furnished will be fully identical or compatible with the make, model, or type required by Customer's specifications.

18.4. **Standard Supplier's Warranty.** Where available, standard Supplier warranties shall apply to all software, service(s), and product(s) furnished by the Company's third-party Suppliers. Nothing in these Terms shall be construed to amend, extend, enhance, or limit the supplier warranties offered unless such change has been expressly offered by the Supplier in writing and duly accepted by the parties under separate agreement.

18.5. **Meter Services Warranty.** This Meter Services Limited Warranty covers the Meter Services (defined below) furnished under Agreement and in accordance with the terms and conditions as follows:

A. **Definitions.**

- I. "Meter Services" means the installation or exchange of certain residential, commercial, or industrial water, electric, or gas utility meter(s) as provided by the Company or its subcontractor and pursuant to the services performed under agreement.
- II. "Service Account" means Customer's physical property to which Customer provides a Utility Service.
- III. "Utility Service" means the water, electric, and/or gas service offered and provided by Customer as applicable.
- IV. "Worksite" means the actual area of work at the Service Account where the utility meter is located.

B. **General Conditions.**

- I. The Company warrants that the Meter Services will be performed in a professional and workmanlike manner, exercising discretion in determining the appropriate degree of care, skill, and competence, and aligning with industry standards and codes to the extent reasonably practicable for similar type work.

II. The warranty is valid for a period of thirty (30) calendar days from the date the Meter Services were performed (the "Warranty Period").

III. The warranty is limited to the actual work performed by the Company or its subcontractors and does not include work performed by third parties not hired by the Company.

IV. The Company reserves the right, at its sole discretion, to inspect the Worksite and determine the appropriate course of action to address any warranty defect. If a claim for damage or defect is determined not to be covered by the warranty, the Company may invoice the Customer for any and all costs incurred in inspecting the Worksite. The Company's liability to the Customer under this warranty is strictly limited to, at the Company's option, the repair or correction of the defective Meter Services, and the Company shall not be liable for any other damages or costs.

V. This warranty is limited to the labor provided to perform the Meter Services and does not include labor to replace manufacturer defects unless such defect was actually caused by the Company's or its subcontractor's negligence.

C. **Water Utility Service.**

I. The warranty is limited to the actual area of work: 1) within the meter box (exterior meter sets); or 2) end-to-end between the meter couplings (interior meter sets).

II. Customer acknowledges and agrees the Company may be unable to reasonably identify the presence or threat of potential or pre-existing damages or defects to the Customer's or property owner's service line. The Company does not warrant against damage or defect(s), whether or not such damage or defect was known, of the materials currently installed at the Service Account; including but not limited to the utility meter, service line piping, meter couplings, fittings, galvanized lines or fittings, curb stops, shut off valves, meter risers, meter setters, meter boxes or meter box lids, adjacent utilities lines in or around the utility meter, or other similar materials installed by others which have or may fail during the Meter Services due to age, normal wear and tear, deterioration, defect, deflection caused by ground shift, service line spring, high pressure or repressurizing of the water service, non-compliance with current industry regulations or codes, negligence, tampering, or lack of proper or routine maintenance.

III. Customer acknowledges and agrees that the temporary disconnection of the water Utility Service to conduct the Meter Services, and any subsequent restoration or pressurization of the water service, may introduce dirt or loosen service line debris (including but not limited to hard water, scale, sediment, etc.) into the service line. Such occurrences shall not constitute a material breach of this Agreement or negligence on the part of the Company. The Company shall not be liable for any damage or defects to household fixtures, including but not limited to water heaters, water softening or filtration systems, sloop valves, appliances, water pressure, electronics, or any other related appurtenances that rely on the water Utility Service provided by Customer. Customer further agrees to indemnify, defend, and hold harmless the Company from any claims, liabilities, or damages arising from such occurrences.

D. **Electric Utility Service.**

I. The warranty is limited to the actual area of work contained within the electrical meter box.

Thirkettle Corporation General Terms of Sale

- II. The Company does not warrant against damage or defect to electrical equipment including but not limited to wiring, conduit, wire nuts, relays, sockets, main switch, fuses and circuit breakers such as the residual current device (RCD), or other similar materials installed by others and contained within the meter box which may fail during the Meter Services due to age, normal wear and tear, deterioration, defect, non-compliant with current industry regulations or codes, negligence, tampering, or lack of proper or routine maintenance. Further, the Company does not warrant against damage or defect caused by hot sockets, overcurrent, electrical arcing, or external factors such as electrical surges.
 - III. Customer acknowledges and agrees that the electric Utility Service will be temporarily disconnected to conduct the Meter Services. The Company shall not be liable for any damage, defect, or loss to household fixtures, including but not limited to fuse and circuit panels, wiring, receptacles and switches, appliances, electronics, lighting, or any other related appurtenances that rely on the electric Utility Service provided by Customer and may become damaged, defective, or otherwise affected due to the electrical Utility Service disruption. Customer assumes all risks associated with such disruption and agrees to indemnify, defend, and hold harmless the Company from any claims, liabilities, or losses arising therefrom.
- E. Gas Utility Service.
- I. The warranty is limited to the actual work performed to exchange or retrofit a gas index or SmartPoint to the existing gas meter. The Company will not disconnect the gas Utility Service or perform any other service to the existing gas utility meter during the Meter Service.
- F. Limitations.
- I. The Company does not warrant against defects to the work resulting from tamper, vandalism, negligence, "Acts-of-God", pre-existing or uncontrollable conditions, or any service work or repair performed by third parties not hired by the Company.
 - II. Unless otherwise expressly provided herein, neither the Company, nor any of its suppliers, vendors, licensors, subcontractors, including employees, agents, or assigns thereof, warrants that the operation of the services will be uninterrupted or error free. Further, neither the Company, nor any of its suppliers, vendors, licensors, subcontractors, including employees, agents, or assigns thereof, will be responsible for (i) lost revenue, including revenue lost from third parties, persons, or entities, such as bills for electricity, lighting, gas, or water consumption; (ii) any In/Out Costs, where "In/Out Costs means any and all costs and expense incurred by Customer in transporting goods between Customer's warehouse and Service Account, including any and all costs and expenses incurred in installing, uninstalling, and removing goods; and (iii) any manual meter reading costs and expenses.
 - III. The Company, nor any of its suppliers, vendors, subcontractors, or assigns including employees, agents, or assigns thereof, shall not be responsible for any Service Account in which it's occupant(s) rely on the Utility Service for medical reasons, including proper function of certain medical equipment, and such Service Accounts have not been previously disclosed by Customer to the Company. In avoidance of doubt, the Company expressly disclaims liability for Service Accounts which require Utility Services to operate certain medical equipment including but not limited to breathing machines, respiratory devices, ventilators, cardiac pumps, apnea monitors, feeding equipment, dialysis, communication devices, or other similar devices. Customer will provide the Company with a list of all known or suspect Service Accounts which rely on constant Utility Services to operate medical equipment in advance of the Meter Services. TO THE MAXIMUM EXTENT PERMITTED BY APPLICABLE STATE LAW(S), CLIENT SHALL HOLD THE COMPANY, ITS SUPPLIERS, SUBCONTRACTORS, OFFICERS, DIRECTORS, MANAGERS, EMPLOYEES, AND ASSIGNS HARMLESS FROM ANY AND ALL LOSSES, COSTS, FINES, PENALTIES, DAMAGES, AND OTHER AMOUNTS (INCLUDING REASONABLE ATTORNEY FEES) INCURRED BY, ASSESSED AGAINST, OR IMPOSED ON THE COMPANY AND ARISING FROM OR IN CONNECTION WITH ANY AND ALL THIRD PARTY SUITS, CLAIMS, ACTIONS OR DEMANDS FOR (I) PERSONAL INJURIES, DEATH OR (II) DAMAGE TO TANGIBLE PERSONAL AND REAL PROPERTY CAUSED BY CLIENT'S FAILURE TO COMPLY WITH THIS SECTION.
- G. LIMITATIONS AND DISCLAIMERS OF LIABILITY.
- I. LIMITATIONS. Unless otherwise expressly provided herein, neither the Company nor any of its service providers, licensors, employees or agents warrant that the operation of the Services will be uninterrupted or error free. The Company will not be responsible for any damages that Customer may suffer arising out of use, or inability to use, the Services, except to the extent such damages are directly caused by the Company's gross negligence or willful misconduct.
 - II. DISCLAIMER OF CERTAIN DAMAGES. IN NO EVENT SHALL ANY PARTY HAVE ANY LIABILITY TO ANOTHER PARTY HERETO FOR ANY LOST PROFITS (WHETHER DIRECT OR INDIRECT), LOSS OF USE, COSTS OF COVER, OR FOR ANY INDIRECT, SPECIAL, INCIDENTAL, PUNITIVE, OR CONSEQUENTIAL DAMAGES HOWEVER CAUSED AND, WHETHER IN CONTRACT, TORT, WARRANTY OR UNDER ANY OTHER THEORY OF LIABILITY, WHETHER OR NOT THE PARTY HAS BEEN ADVISED OF THE POSSIBILITY OF SUCH DAMAGE, EXCEPT TO THE EXTENT SUCH DAMAGES ARE DIRECTLY CAUSED BY THE COMPANY'S GROSS NEGLIGENCE OR WILLFUL MISCONDUCT.
19. RETURN MATERIAL AUTHORIZATION. Product(s) returned for warranty and in accordance with Standard Supplier's Warranty will be returned directly to the Supplier unless otherwise instructed by the Company. Customer shall submit a list of defective items with description of failure, Product(s) type(s), model(s), serial number(s) or identification number(s), and any additional pertinent information requested by the Company to identify the product in Excel format to rma-norcal@aquametric.com; rma-socal@aquametric.com; rma-texas@aquametric.com; or rma-louisiana@aquametric.com. The Company will generate a Return Material Authorization ("RMA") form for the Customer to include with the Product(s) shipment to the Supplier. Customer will be responsible for any cost(s) incurred to return the Product(s) to the Supplier for warranty claims.
 20. FORCE MAJEURE. The Company shall not be held liable for delay, suspension, or cancellation in fulfilling or failure to fulfill its obligations under this Agreement, if such delay or failure is caused by events beyond the Company's reasonable control, including, without limitation, natural calamity, acts of God, terrorist events, pandemic, epidemic, strikes, lockouts or labor disruption, wars, riots or embargo delays, government allocations or priorities, shortages of transportation, fuel, labor, or materials, inability to produce or procure the products or raw materials, or any other circumstance or cause, including unforeseen cost(s) imposed upon the Company by its Suppliers or governmental mandate to furnish the Goods which may arise from circumstances beyond the Company's reasonable control.
 21. LIMITATION OF LIABILITY.
 - 21.1. THE COMPANY'S AGGREGATE LIABILITY IN ANY AND ALL CAUSES OF ACTION ARISING UNDER, OUT OF OR IN RELATION TO THIS AGREEMENT, ITS NEGOTIATION, PERFORMANCE, BREACH OR

Thirkettle Corporation General Terms of Sale

TERMINATION (COLLECTIVELY "CAUSES OF ACTION") SHALL NOT EXCEED THE TOTAL AMOUNT PAID BY CUSTOMER TO THE COMPANY UNDER THIS AGREEMENT. THIS LIMITATION OF LIABILITY SHALL APPLY REGARDLESS OF THE LEGAL THEORY UNDER WHICH THE CLAIM IS BROUGHT, INCLUDING BUT NOT LIMITED TO BREACH OF CONTRACT, WARRANTY, NEGLIGENCE, STRICT LIABILITY, OR ANY OTHER LEGAL OR EQUITABLE THEORY.

- 21.2. AS A SEPARATE AND INDEPENDENT LIMITATION ON LIABILITY, THE COMPANY'S LIABILITY SHALL BE LIMITED TO DIRECT DAMAGES. THE COMPANY SHALL NOT BE LIABLE FOR: (I) ANY INDIRECT, INCIDENTAL, SPECIAL OR CONSEQUENTIAL DAMAGES; NOR (II) ANY REVENUE OR PROFITS LOST BY CUSTOMER OR ITS AFFILIATES FROM ANY END USER IRRESPECTIVE OF WHETHER SUCH LOST REVENUE OR PROFITS IS CATEGORIZED AS DIRECT DAMAGES OR OTHERWISE, INCLUDING REVENUE LOST FROM THIRD PARTIES, PERSONS, OR ENTITIES, SUCH AS BILLS FOR ELECTRICITY, LIGHTING, GAS, OR WATER CONSUMPTION; NOR (III) ANY IN/OUT COSTS; NOR (IV) CLAIMS MADE BY A THIRD PARTY; NOR (V) MANUAL METER READ COSTS AND EXPENSES. "IN/OUT COSTS" MEANS ANY COSTS AND EXPENSES INCURRED BY CUSTOMER IN TRANSPORTING GOODS BETWEEN ITS WAREHOUSE AND ITS END USER'S PREMISES AND ANY COSTS AND EXPENSES INCURRED BY CUSTOMER IN INSTALLING, UNINSTALLING AND REMOVING GOODS. "END USER" MEANS ANY END USER OF ELECTRICITY/WATER/GAS THAT PAYS CUSTOMER FOR THE CONSUMPTION OF ELECTRICITY/WATER/GAS, AS APPLICABLE.
- 21.3. The limitations on liability set forth in this Agreement are fundamental inducements to the Company entering into this Agreement. They apply unconditionally and in all respects and shall be interpreted as broadly as possible to afford the Company the maximum protection permitted under law. To the fullest extent permitted by law, no Cause of Action may be instituted by Customer against the Company more than six (6) months after the Cause of Action first arose. In the calculation of any damages in any Cause of Action, no damages incurred more than six (6) months prior to the filing of the Cause of Action shall be recoverable. If Customer is not the sole end user and ultimate owner of the Deliverables, then Customer shall ensure by its contract with the end user and ultimate owner (collectively, "Owner") that the Company is given the benefit of the exclusions and limitations set out in these Terms. To the maximum extent permitted by law, Customer agrees to indemnify, defend, and hold harmless the Company from and against any and all claims, liabilities, losses, damages, costs, and expenses, including attorney's fees, arising from or related to any Owner's claims, to the extent that the Company would not be liable to Customer under these Terms if the claim had been made by Customer.
22. INDEMNIFICATION. To the maximum extent permitted by law, Customer agrees to defend, indemnify, and hold the Company harmless from any and all losses, costs, fines, penalties, damages, and other amounts, including reasonable attorney fees (collectively the "Losses"), incurred by, assessed against, or imposed on the Company arising from or in connection with Customer's use of the Goods, regardless of whether such Losses were caused in part by the Company's actions or omissions, except to the extent such Losses were solely and directly caused by the Company's willful misconduct or gross negligence.
23. CONFIDENTIAL INFORMATION. As used herein, "Confidential Information" refers to any non-public, proprietary, or sensitive information disclosed by one party to another party in connection with this Agreement, whether in written, oral, electronic, or any other form. Confidential Information includes without limitation business plans, strategies, financial data, pricing, contracts, trade secrets, proprietary technology, software, technical specifications, Customer data (such as billing account data, payment information), Supplier information, employee information, and any other work product or information marked or reasonably understood to be confidential. Each party shall hold the other party's Confidential Information in confidence and shall not disclose such Confidential Information to third parties other than to consultants or contractors, subject to similar terms of confidentiality, when disclosure is necessary for the purposes set forth herein, nor use the other party's Confidential Information for any purpose other than the purposes set forth under this Agreement. The foregoing restrictions on disclosure shall not apply to information which is: (i) already known by the public, (ii) becomes, through no act or fault of the recipient, publicly known, (iii) received by recipient from a third party without a restriction on disclosure or use, (iv) independently developed by recipient without reference to the other party's Confidential Information, or (v) is a public record under applicable laws, subject to the terms of this Section. The Customer will maintain the confidentiality of all Company Confidential Information, and the Company will maintain the confidentiality of all Customer Confidential Information, with each party taking all reasonable precautions to protect the same, and at a minimum taking those precautions used to protect its own Confidential Information from unauthorized use or disclosure.
24. ASSIGNMENT. Customer may not assign, transfer or delegate this Agreement or any part of Customer's rights or duties without prior written consent of the Company. Any attempted assignment in violation of this section shall be null and void.
25. GOVERNING LAW AND DISPUTE RESOLUTION. This Agreement shall be governed by and construed in accordance with the laws of the State of California, without regard to its conflict of laws principles. In the event of any dispute arising out of or relating to this Agreement, the parties agree that jurisdiction and venue shall be proper in the state and federal courts of California, or, where applicable, in the state where the transaction giving rise to the dispute occurred. The parties shall first attempt to resolve the matter through an informal dispute resolution process by making a good faith effort, either through email, mail, phone conference, in person meetings, or other reasonable means to resolve any claim, dispute, breach or other matter in question that may arise out of, or in connection with this Agreement. If the parties fail to resolve the dispute within sixty (60) days of the date of receipt of the notice of the dispute, then the parties shall submit the matter to non-binding mediation. If no resolution is reached after having completed these steps in good faith, any legal action shall be brought in the state or federal courts located in California, and both parties consent to the exclusive jurisdiction and venue of such courts unless otherwise agreed.
26. COMPLIANCE WITH LAWS. Customer shall at all times comply with all applicable laws and regulations, as they exist at the time of acceptance and as they may be amended, changed, or supplemented. Customer shall not take any action or permit any action by a third party that could result in the Company being held liable for any violation of applicable laws. Customer shall perform its obligations under this Agreement in strict compliance with all Laws applicable to Customer's business, activities, and facilities. "Laws" shall include and refer to any and all federal (national), state, provincial, municipal, or local laws, regulations, rules, judicial decrees, decisions and judgments, executive and government orders and ordinances, and any and all directives of regional legislative and regulatory bodies and implementing legislation, as well as rules and regulations of any self-regulatory organization by which any party may be bound. Customer agrees to indemnify, defend, and hold harmless the Company from and against any and all claims, liabilities, losses, damages, costs, and expenses arising from or related to Customer's failure to comply with this clause.
27. SEVERABILITY. In the event any provision of this Agreement is held to be void, unlawful or otherwise unenforceable, that provision will be severed from the remainder of the Agreement and replaced automatically by a provision containing terms as nearly like the void, unlawful, or unenforceable provision as possible; and the Agreement, as so modified, will continue to be in full force and effect.
28. NON-WAIVER. The failure, delay, or partial exercise by the Company in exercising any right, power, or privilege under this Agreement shall not be construed as a waiver of any such right, power, or privilege, nor shall it preclude any other or further exercise thereof or the exercise of any other right, power, or privilege. Any waiver by the Company must be in writing and signed by an authorized representative of the Company to be effective.